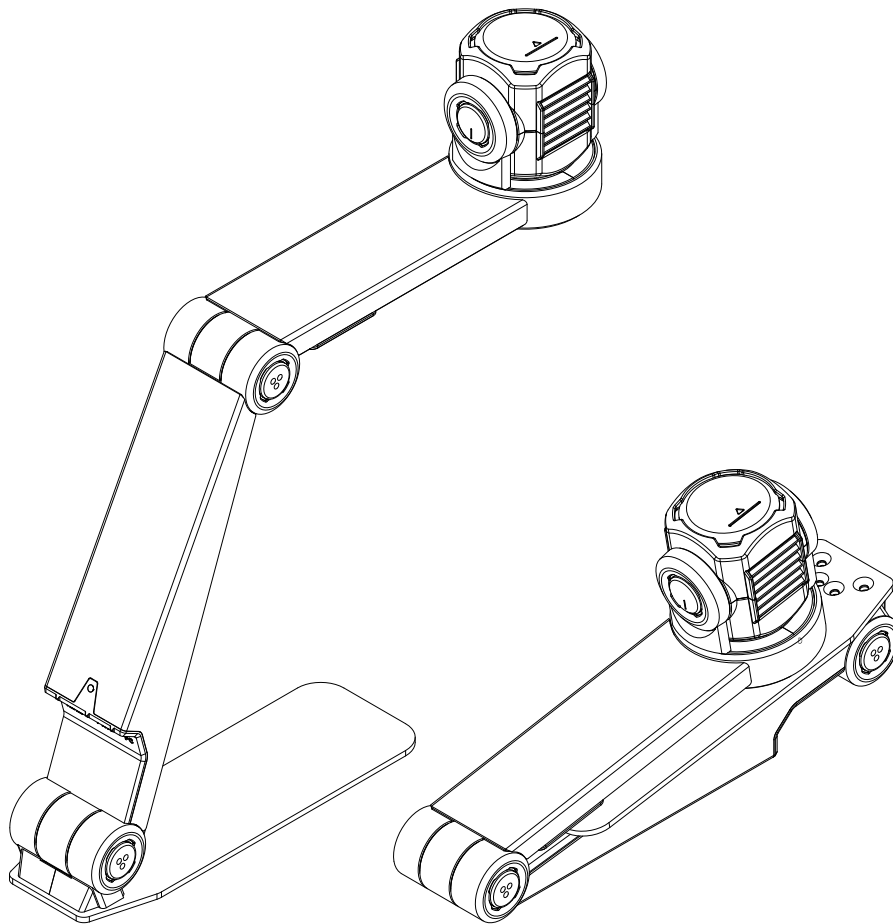


ZoomCam Speech

English - User Manual - Page 2

Deutsch – Gebrauchsanweisung - Seite 27

Specifications - Page 52



KOBA Vision

De Oude Hoeven 6
3971 LEOPOLDSBURG
Belgium

Tel. +32 11 51 70 80
info@kobavision.be
www.kobavision.be

This manual describes the KOBA Vision ZoomCam Speech. The latest versions of the manual can be downloaded from the KOBA Vision website: www.kobavision.be.

Chapter 1: Safety and maintenance instructions



SAFETY INSTRUCTIONS

- Text read by the ZoomCam Speech is under no circumstance guaranteed to be a 100% correct. The text-to-speech function is solely to be used as a reading aid.
- The power supply must only be replaced by the same type (5V, max. 3A, Medical Grade AC/DC Adapter (EN60601-1)) after switching off the device and removing the adapter from the grid.
- The connections have been designed to only connect in 1 way. Never force a connection. Install the power supply of the device in a well ventilated area.
- Never attempt to repair the device by yourself. It is dangerous to remove protective covers which are there to prevent electric shock. You must contact KOBA Vision or your dealer in case of defects.
- To avoid electrocution, do not place the device in a spot where it can come into contact with liquids.
- Consult the user manual of the screen or other connected external devices for specific safety instructions related to this device.
- Save this manual carefully. It contains all necessary information about your device.
- Keep the device in a dry, well-ventilated and clean place. Do not expose the device to direct sunlight or a heat source.
- Never use this device in ambient temperatures higher than 35°C.
- This device is designed as aid to magnify documents. Any change of purpose voids the CE-marking.
- Your product is designed and manufactured with high quality materials and components, which can be recycled and reused. Do not dispose of your old product in your general household waste bin. Dispose of the complete product (including its cables, plugs and accessories) in the designated collection facilities.



MAINTENANCE INSTRUCTIONS

- Disconnect all the cables from the device before cleaning.
- Occasionally clean the device and the lens using a damp cloth intended for cleaning computers and screens.
- Do not allow any fluids to enter the device.
- Treat your device with care and you will enjoy it for years to come.

CE

This device bears the CE approval mark.



FCC

This device bears the FCC approval mark.



This equipment has been tested and found to comply with the limits for a Class B digital device, pursuant to part 15 of the FCC Rules. These limits are designed to provide reasonable protection against harmful interference in a residential installation. This equipment generates, uses and can radiate radio frequency energy and, if not installed and used in accordance with the instructions, may cause harmful interference to radio communications. However, there is no guarantee that interference will not occur in a particular installation. If this equipment does cause harmful interference to radio or television reception, which can be determined by turning the equipment off and on, the user is encouraged to try to correct the interference by one or more of the following measures:

- Reorient or relocate the receiving antenna.
- Increase the separation between the equipment and receiver.
- Connect the equipment into an outlet on a circuit different from that to which the receiver is connected.
- Consult the dealer or an experienced radio/TV technician for help.

This device complies with part 15 of the FCC Rules. Operation is subject to the following two conditions:

1. This device may not cause harmful interference, and
2. this device must accept any interference received, including interference that may cause undesired operation.

Chapter 2 : Installation

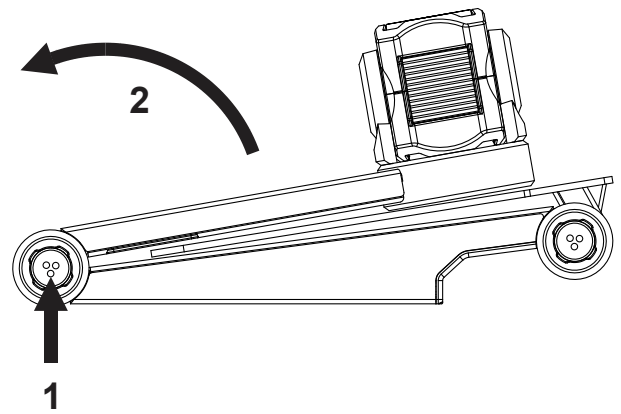
CONTENT

The ZoomCam Speech is supplied with the following content:

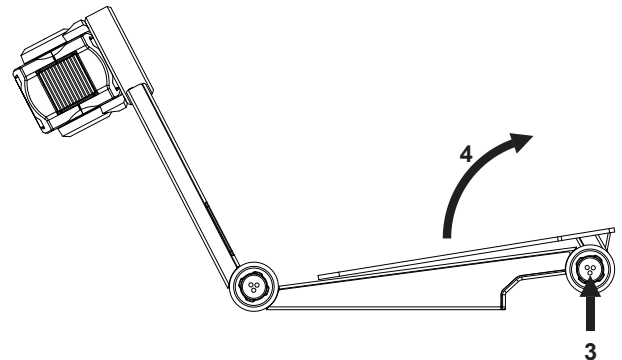
- ZoomCam Speech camera
- USB-C – USB-C 3 cable (1 meter)
- USB-C – USB-A 3 cable (1 meter)
- HDMI cable (2 meter)
- USB-C power supply
- T-support ZoomCam Speech
- 2x Remote control ZoomCam Speech
- 2x AAA batteries
- Protection bag
- Reading tablet
- Adapter USB-C – Mini Jack 3,5 mm (Audio)
- User Manual

SETTING UP

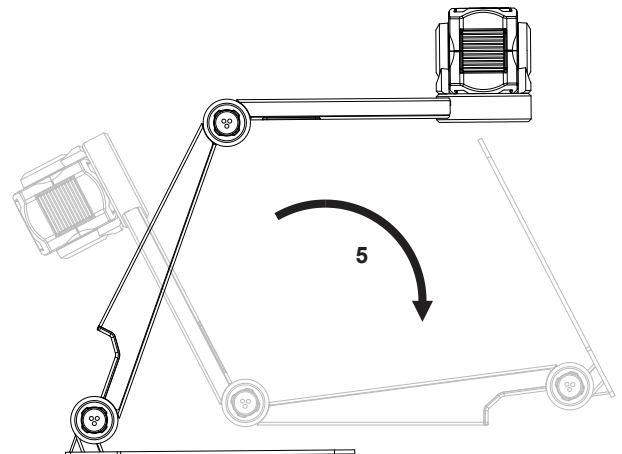
1. Press the large round button in the hinge between the 2 arms of the ZoomCam Speech. The button has 3 tactile dots.
2. Keep pressing the button while unfolding the arm until the button pops out automatically.



3. Press the large round button in the hinge between the arm and the foot. The button has 3 tactile dots.
4. Keep pressing the button while unfolding the arm until the button pops out automatically.



5. Turn the ZoomCam Speech and set it on his footplate.
6. Ready.

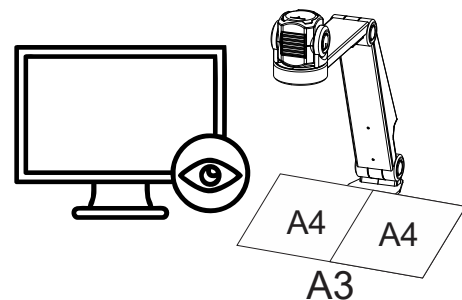


POSITION OF THE CAMERA

The ZoomCam Speech can be used in multiple ways because the camera head can turn in any direction.

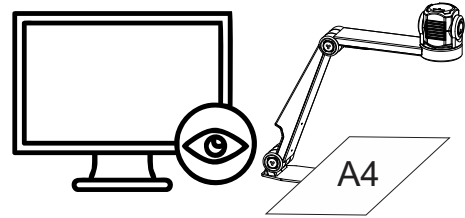
1. Behind (recommended)

The arm of the camera is placed at the back. Rotate the camera around its axis to straighten the image. A3 sheets can be moved freely under the camera.



2. Left or right

The base of the camera is placed on the left or the right. Rotate the camera around its axis to straighten the image. A4 sheets can be moved freely under the camera.



3. Other positions

Rotate the camera around its axis to adjust the image straight.

CONNECTIONS

1. HDMI

The HDMI connection transfers the image from the ZoomCam Speech to a screen. This can be a television screen as well as a monitor.

2. USB-C 3 port - POWER

Power

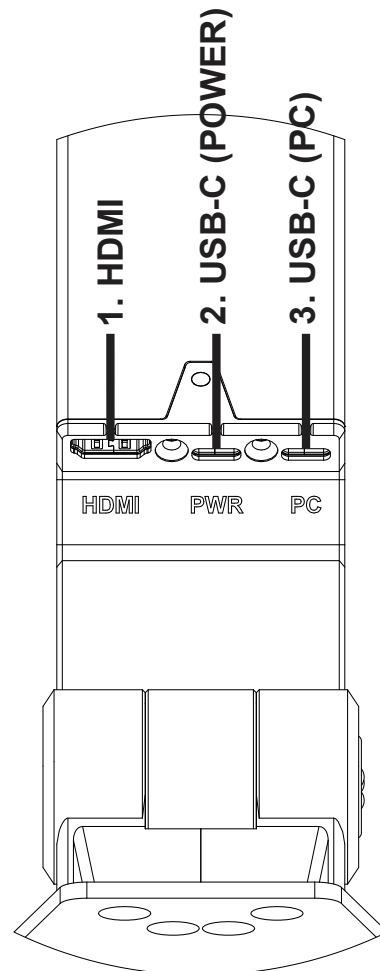
This USB connection can provide additional power. This USB connection is used if the other USB connection does not provide sufficient power or to connect an external battery or power supply.

Sound

This USB connection also provides sound via a USB-C - MiniJack 3.5 mm adapter or via the optional USB-C Bluetooth adapter.

3. USB-C 3 port - PC

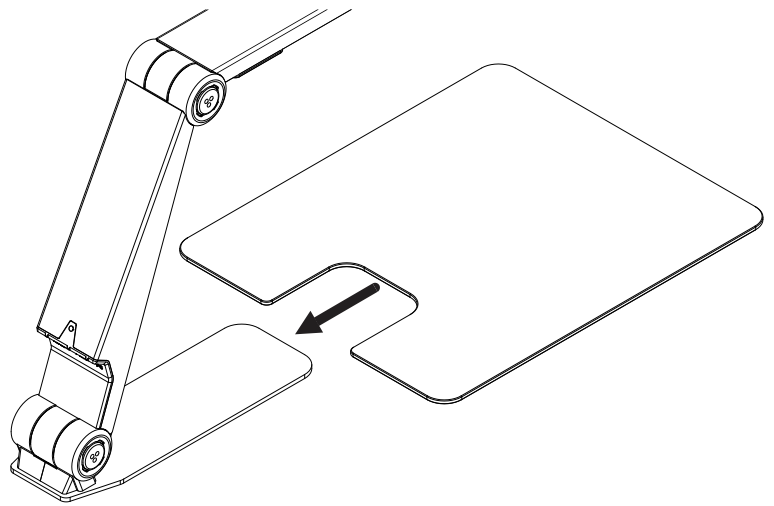
The USB connection transfers the image to a computer or tablet. The connection also provides power to the device. This USB connection is the **main connection**.



READING TABLET

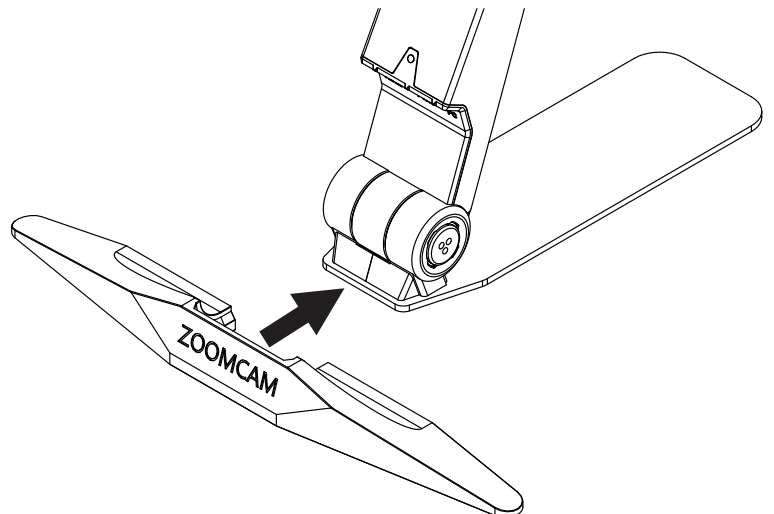
The reading tablet is intended to move documents smoother over the foot of the ZoomCam Speech. With the reading tablet documents can be read more comfortably.

Position the bottom groove of the reading tablet over the foot of the ZoomCam Speech. Now you will have a smooth surface above the foot of the ZoomCam Speech to move documents.



T-SUPPORT

By attaching the supplied T-support to the back of the ZoomCam Speech's base, the device is protected from falling over.



POWER SUPPLY

The ZoomCam Speech operates on external power. Power will be supplied to the USB ports. Connect the USB cable or USB power supply. The LED lights on the front and back inform details about the power source.

- 3x green: Enough power. ZoomCam Speech is powered via USB-C. The ZoomCam Speech will turn on without having trouble with power.
- 3x yellow: Not sure of sufficient power. ZoomCam Speech is powered via a non USB-C supply. ZoomCam Speech could have a problem.
- 6x red: The ZoomCam Speech can't turn on, because of too less power. Connect a second power source via USB.

CONNECT THE ZOOMCAM SPEECH TO A SCREEN

To use ZoomCam Speech on a screen (with built-in speakers), connect it via the HDMI connector. Power the device using the included USB-C power adapter or by connecting the ZoomCam Speech to a USB port on the screen that provides sufficient power. Use:

- HDMI cable → connect to HDMI interface

- USB-C power supply or USB-C - USB-A cable for connection to the screen → **connect 1 of the 2 USB connections**

It is recommended to use a screen with built-in speakers so that the read-aloud function is available without additional connection.

If the screen does not have built-in speakers, solve this by:

- Connect the supplied **USB-C - Mini Jack 3.5 mm adapter** to the middle USB port. Connect the power supply to the outer USB-C port. Connect external speakers or headphones to the Mini Jack 3.5 mm.
- Connect the optional bluetooth adapter to the middle USB port. Connect the power supply to the outer USB-C port. Connect a bluetooth speaker or headphones by long pressing the button on the adapter so that the bluetooth adapter is in pairing mode. Put the speakers or headphones into pairing mode too. Both devices will pair automatically. For a list of compatible bluetooth adapters, refer to the specifications at the back of the manual.

CONNECT THE ZOOMCAM SPEECH TO A COMPUTER OR TABLET

Use the USB-C (PC) connection to connect the ZoomCam Speech on a computer, tablet or smartphone. If the device does not have enough power, use the second USB (PWR) connection. Use:

- USB-C cable → connect it to the outer USB-C connector (PC) - 3
- If the ZoomCam Speech does not have enough power or if you want to connect an external battery, use a second USB cable → **connect it to the middle USB-C connection (PWR) - 2**

USB 3, type USB-C 3A

The ZoomCam Speech works optimally with a USB 3, type USB-C 3A.

When connecting the ZoomCam Speech, the LED flashes **green**.

USB 3, type USB-C 1,5

Each USB-C port delivers at least 1,5A. This port may not provide enough power. If the ZoomCam Speech is not receiving enough power, the LED flashes 6 times red at the next start-up. In this case, connect the ZoomCam Speech with a second USB cable, connect the power supply or connect a USB-cable to an external battery.

When connecting the ZoomCam Speech, the LED flashes **yellow**.

USB 3, type USB-A

It is also possible to use a USB 3, type USB-A. This port may not provide enough power. If the ZoomCam Speech is not receiving enough power, the LED flashes 6 times red at the next start-up. In this case, connect the ZoomCam Speech with a USB-C cable, connect the power supply, connect a second USB cable to the computer or tablet or connect a USB-cable to an external battery.

When connecting the ZoomCam Speech, the LED flashes **yellow**.

USB 2, type USB-A

It is also possible to use a USB 2, type USB-A. This port does not provide enough power. If the ZoomCam Speech is not receiving enough power, the LED flashes 6 times red at the next start-up. In this case, connect the power supply, connect a second USB cable to the computer or tablet or connect a USB-cable to an external battery.

When connecting the ZoomCam Speech, the LED flashes **yellow**.

Chapter 3: Operation

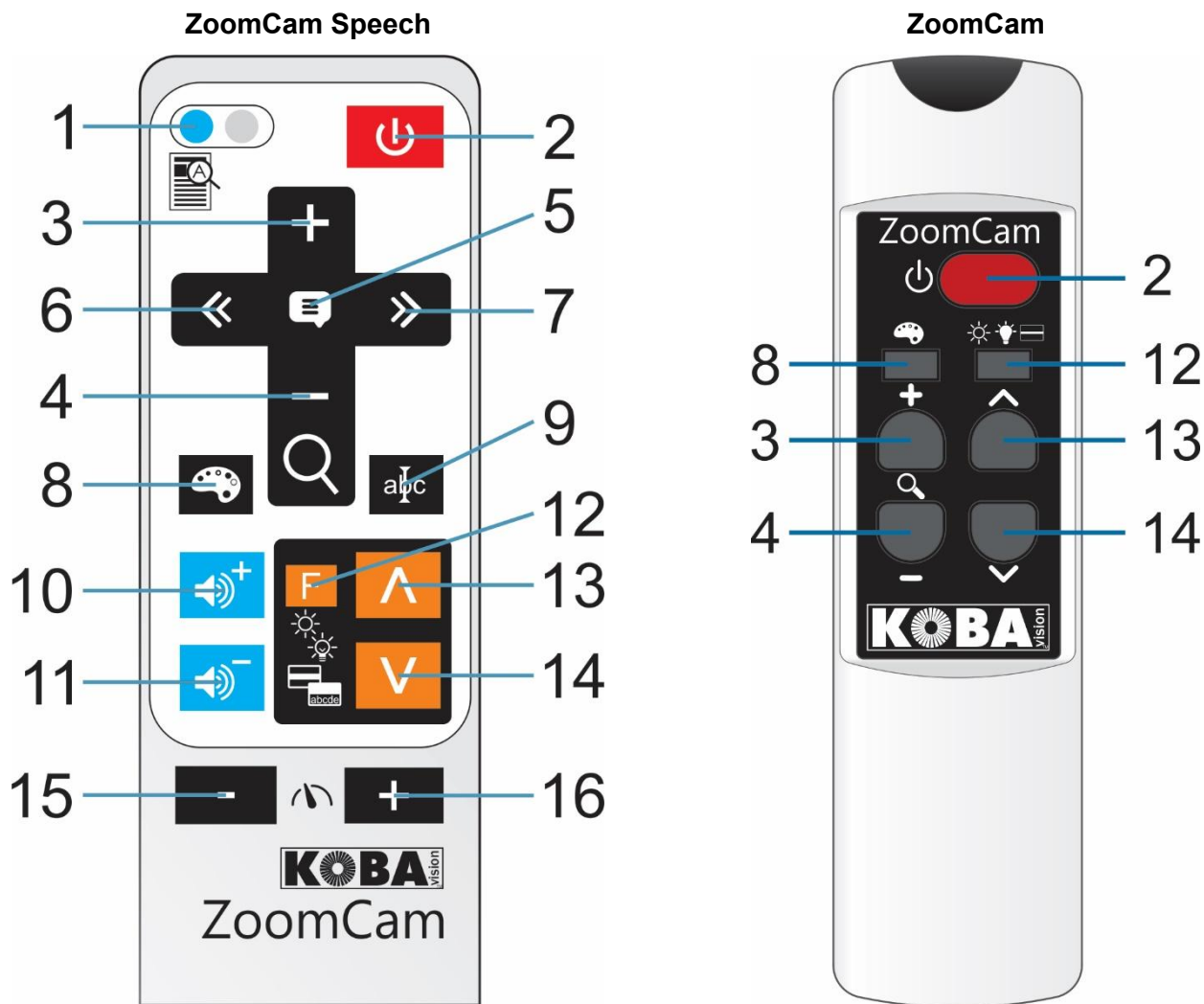
REMOTE CONTROL

The ZoomCam Speech is operated with a remote control. The remote control has 2 AAA batteries. On the back of the remote control there is a cover that you can slide down to replace the batteries.

The receiver is located between the lights in the horizontal arm of the ZoomCam Speech.

The LEDs on the front and back of the ZoomCam Speech flashes when a button is pressed on the remote control.

ZoomCam Speech is compatible with the remote control of ZoomCam Speech and also with ZoomCam without read-aloud function.



1	<p>Press briefly: switch between overview and magnification</p> <p>Hold button: read-aloud full image</p> <p>Hold button if devices is switched off: switch on without read-aloud function</p>
2	<p>Press briefly: switch ON</p> <p>Hold button: switch OFF</p>
3	Zoom in
4	<p>Zoom out</p> <p>Long press at minimum zoom: activate full page</p>
5	Read-aloud – Start – Pause – Stop
6	<p>Press briefly: go back one word in the text</p> <p>Press briefly at full page: go one text block back in the text</p> <p>Hold button: go back one sentence in the text</p>
7	<p>Press briefly: go ahead one word in the text</p> <p>Press briefly at full page: go one text block ahead in the text</p> <p>Hold button: go ahead one sentence in the text</p>
8	<p>Press briefly: switch between photo mode, negative, positive reading</p> <p>Hold button - negative/positive: changes colour of the background or characters</p> <p>Hold button – distance view: mirror image</p>
9	<p>Press briefly: hide/unhide column selector</p> <p>Hold button: change the colour of the column selector</p>
10	<p>Press briefly: volume up</p> <p>Hold button: select another reading voice or automatic</p>
11	<p>Press briefly: volume down</p> <p>Hold button: select another reading voice or automatic</p>
12	<p>Press briefly: switch between brightnes, background, lighting, reading line, reading bar, ticker</p> <p>Hold button (ZoomCam Speech): change colour or reading line</p> <p>Hold button (ZoomCam): switch between overview and magnification</p>
13	<p>Press in colour mode: increase brightness</p> <p>Press in negative or positive reading: improve background</p> <p>Press in lighting: more light</p> <p>Press in reading line: move line up</p> <p>Press in reading bar: higher</p>

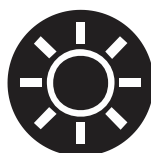
	Press in ticker: increase size
14	Press in colour mode: decrease brightness Press in negative or positive reading: decrease background Press in lighting: less light Press in reading line: move line down Press in reading bar: smaller Press in ticker: decrease size
15	Decrease reading speed (slower)
16	Increase reading speed (faster)

ICONS

The functions of the ZoomCam Speech are shown with icons on the screen. For some functions, you will see a red progress indicator to the left of the icon to indicate how the function is set or how it is changing.



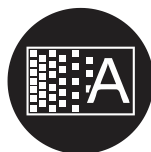
Magnification. The camera zooms in or out.



Brightness. Increase or decrease the brightness of the image.



Photo mode. In this view, the camera image is unedited.



Background. To filter the background or change the thickness of the letters.



Negative – positive reading. In this mode, the image is converted into artificial colours for high contrast. By pressing the colour button long you can set other colours.



Lighting. Adjusts the lighting.



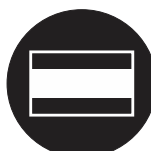
Overview. In this view, the camera zooms to a small magnification to provide overview.



Reading line. The image has a horizontal line. You can move the line up or down.



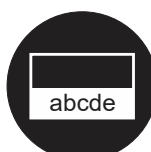
Mirroring. This view is only available in distance mode. In mirror mode you can point the camera at yourself.



Reading bar. Make the bar higher or smaller.



Volume. The volume is increasing or decreasing. A red bar indicates the volume level.



Ticker. Change size of the ticker.



Reading speed. The reading speed is increasing or decreasing. A red bar indicates the reading speed level.



Column selector. Hold button to change its colour.



The read-aloud function isn't available. The device was started without read-aloud function.



Navigation by sentence or word.



Wait. The read-aloud function is starting. It can take up to 30 seconds for preparing the read-aloud function. It is ready after the beep.



Switching off. Hold the button while switching off. A red bar indicates how long you need to hold.

SWITCHING ON / OFF

In combination with a screen or monitor

Switching on with **button 2**. Most screens are switched on automatically by the ZoomCam Speech. If this does not happen, switch on the screen and choose the correct source (see screen manual).

The ZoomCam Speech is turned off by pressing and holding **button 2**. A red bar indicates when the ZoomCam Speech will be switched off.

Switching on without read-aloud function

The ZoomCam Speech can be switched on without read-aloud for saving power. Press and hold **button 1**.

In combination with a computer or tablet (streaming)

The ZoomCam Speech is automatically switched on by the viewer.

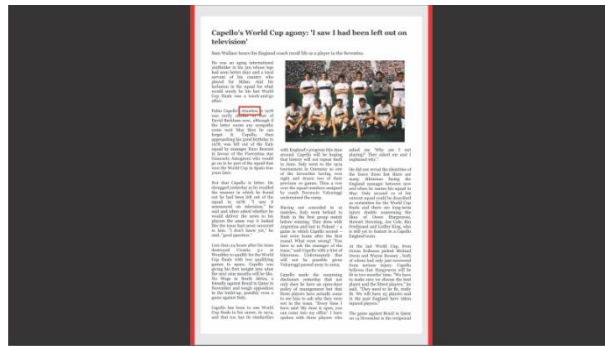
The ZoomCam Speech switches off by stopping the stream, by closing the application or by selecting another camera. ZoomCam Speech switches off with a delay of 30 seconds by default. During these 30 seconds, the image is immediately available when the stream is started again.

ZoomCam Speech switches on with read-aloud function. If you don't want reading aloud, switch the on with **button 1** before starting the application. You start your application after having started the ZoomCam Speech.

READING ALOUD

Procedure with complete page

1. Position the text below the ZoomCam.
2. The text becomes visible on the screen.
3. Push the zoom **button 4** to the minimum. Push and hold again. The text is now displayed in full on the screen.
4. Press **button 5** to start the read aloud function. The image stays frozen.
5. To have a new text read aloud, push the zoom **button 4** or wait a few seconds after the reading is automatically finished at the end of the page.



Pause

Reading aloud starts by pressing **button 5**. To pause or resume reading, press **button 5**.

Continuous reading

The ZoomCam reads continuously. When reading a full page, there is no need to move the text. The ZoomCam automatically reads the entire text without stopping.

Navigation

The ZoomCam can navigate by text block or by sentence. By holding button 6 or button 7, the device moves one sentence backward or forward, respectively. By pressing briefly, you move one text block backward or forward.

Progress indicator

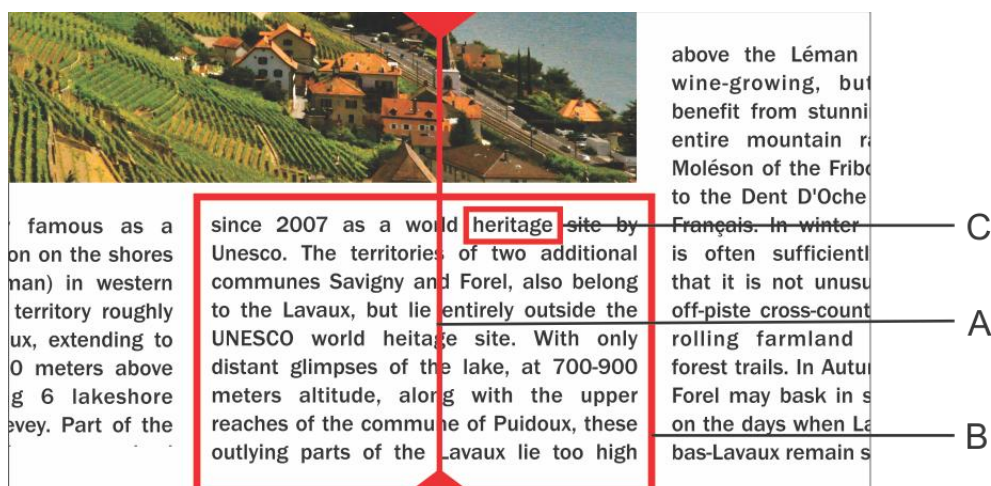
While reading, the ZoomCam displays a progress indicator—a bar at the bottom of the screen that shows your position within the text.



Procedure with column selector

The ZoomCam Speech reads all the displayed text on the screen. By pressing **button 5** you can start the reading process regardless of the chosen magnification.

1. Put the text on the sliding table beneath the ZoomCam Speech.
2. The text now becomes visible on the screen.
3. Select a text block by placing the text block in the middle of the screen or by crossing the text block by the column selector.
4. Press **button 5** to start the read aloud function.



- A. Column Selector
- B. Text block
- C. Text box

Pause

Reading aloud is initiated by pressing **button 5**. To pause, press **button 5**. To resume reading, press **button 5**.

Continuous reading

The ZoomCam Speech reads continuously. When you move further into the text, the ZoomCam Speech will continue reading without interruption. The reading frame disappears when moving but will reappear when the new position is found.

Reading full image on display

The ZoomCam Speech can read the full image on the display by pressing and holding **button 1**. The ZoomCap Speech will read the full image without column recognition. This features simplifies reading invoices, bank receipts and tables.

Navigation

The ZoomCam Speech can navigate by word or by sentence. When pressing and holding **button 6** or **button 7** the device will go further or go back sentence by sentence. By pressing briefly you go further or go back word by word.

You can easily have the text read out again by sliding the text upwards again with the slide table. If you slide the text upwards by more than 1 cm, the ZoomCam Speech will resume reading aloud from the start and not from the previous reading position.

Progress indicator

While reading, the ZoomCam Speech displays a progress indicator. This is a bar which is shown at the bottom of the screen and indicates the progress in the text. The progress indicator can appear in 3 different forms.

Reading within the same column

Sliding up or continue reading without sliding the text that is being read out of screen: the reading frame disappears and reappears when the new position is found.



Continue reading while the text is slid out at the top of the screen. The frame disappears and reappears when the text that is being read enters the screen again. When the text connects, this is shown by double bars that approach one and other.



When it is impossible to reconnect, meaning that the text was slid through too far, an arrow appears to the right of the bar. You can position the text back until you see the indicator without the arrow.



Reading a next column

During the reading of one column you can already move to the next without interrupting reading of the previous column. In that case an arrow is shown next to the bar. To repeat a text you can slide the text downwards. The text will be read from the top.



Ticker

The ticker will display the readout text on the screen. The ticker can be activated or deactivated by pressing **button 12** until the ticker is shown on the display. The size of the ticker is set by turning **button 13 and 14**.

The colours are configured automatically depending on the colour of the column selector, set by pressing and holding **button 9**.

When changing the size of the ticker with **button 13 and 14**, the news ticker switches from scrolling to word by word.

The speed at which the text is displayed is linked to the reading speed of the ZoomCam Speech. You can adjust the speed with **button 15** (slower) and **button 16** (faster).

Reading bar

The horizontal reading bar is a clear bar from left to right on the screen. The text that isn't covered by the bar is slightly visible. The reading bar is used to cover text or to select a part of the text to read aloud.

Press **button 12** until the bar is displayed on the screen. Press **button 12** (higher) or **button 13** (smaller) to set the height. Press **button 9** to show or hide edge lines. Press long on **button 9** to change colours.

Press and hold **button 1** to read the text in the reading bar without column recognition.

Press **button 5** to read the text in the reading bar with column recognition.

Language and reading voices

Attention! This menu will pop-up automatically when initializing the unit for the first time 30 seconds after startup.

You can change the language options at any time. To open the language menu, you press **button 5** for 10 seconds. The language menu will open. The menu has 3 steps:

Step 1: Language of the spoken assisting messages

This is where you adjust the language of the spoken buttons. You choose your mother tongue. An inhabitant of France chooses French. Select the language with the arrow keys. Press and hold **button 5** to go to step 2.

Step 2: Preferred voice

Most languages have several voices. In step 2 you choose your preferred voice for the spoken buttons and your preferred voice for reading out the texts with the arrow keys. Usually you can choose between a male and female voice. In French, for example, you can choose between Virginie, Thomas, Felix and Audry. You select the voice with the arrow keys. Press and hold **button 5** to go to step 3.

Step 3: Other reading voices

If you would like to have texts read out by other voices or in different languages, you can select other voices in step 3. You select the voice with the arrow keys. By briefly pressing **button 5** you can switch a voice on or off. (X) indicates that a voice is switched on. () indicates that a voice is switched off. You can switch on/off various voices. By holding **button 5** you will exit the voice and language menu.

Automatic language recognition

You can activate the option “automatic language recognition” by pressing and holding the volume **buttons 10 or 11** until the ZoomCam Speech announces “automatic”.

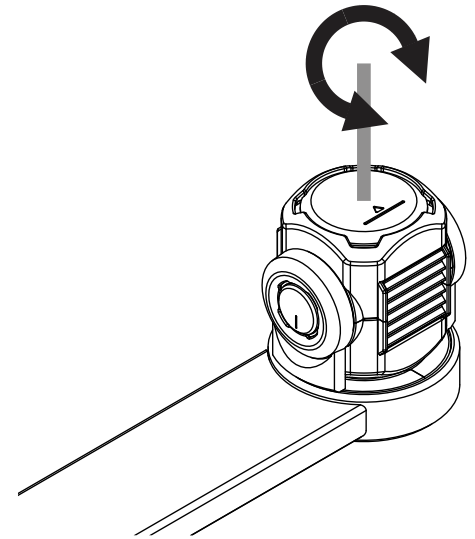
When this function is set, each text bloc will be read in the according language. The default voice is predefined. If you want the text to be read in another voice, only select 1 voice per language (your preferred voice) in the language menu.

POSITION OF THE CAMERA

The camera has a 2-dimensional head that can be adjusted manually.

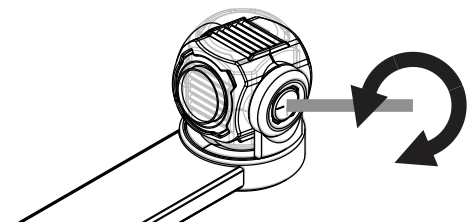
Rotate

By rotating the camera you can rotate the image and adjust it correctly so that the text is right on the screen.



Tilt (switch between reading and distance view)

By tilting the camera up and down you choose to read under the camera or to use it for distance view.



POSITION SENSOR

The ZoomCam Speech has a sensor that detects the position of the camera. The ZoomCam Speech knows whether the camera is viewing the distance or is used for reading. The pre-sets between the 2 modes are stored according to the sensor. The ZoomCam Speech remembers the settings for:

Magnification, Coulor, Brightness, Background, Lighting, Reading line, Reading bar, Ticker.

Chapter 4: Using ZoomCam Speech on a screen

It is recommended to combine the ZoomCam Speech with a screen with built-in speakers. To use the ZoomCam Speech with a screen, connect the ZoomCam Speech to the screen with an HDMI cable. The ZoomCam Speech is compatible with a digital display that has a HDMI or DVI connection. A HDMI-HDMI cable is supplied with the ZoomCam Speech. For a screen with a different connection you need a different cable (not included).

Connect the HDMI cable. Also connect a power supply. You can connect the supplied USB-C adapter to the wall socket or you can use the USB-C - USB-A cable to power the ZoomCam Speech through the screen. Note: not every screen has a USB port with power or sufficient power.

To display the image on the screen, select the correct source on the screen.

Only screens with built-in speakers provide sound. To connect headphones or external speakers, refer to chapter 3: Headphone and external speakers.

Chapter 5: Using ZoomCam Speech on a computer or tablet

To use the ZoomCam Speech with a computer or tablet, connect the ZoomCam Speech via a USB cable. We recommend using a USB 3, USB-C port. If this is not available, you can also use a regular USB 3 (recommended for better performance) or USB 2, USB-A port. With a USB-A port it may be that there is insufficient power. In this case, connect a second USB cable, the power supply or an external battery.

By connecting the device, the ZoomCam Speech is automatically configured on the operating system.

IMAGE SPEED AND RESOLUTION

The ZoomCam Speech image is available as "ZoomCam Speech USB Video Stream". You can find it in the list of available cameras.

The ZoomCam Speech has a resolution of 1920 x 1080 and a frame rate of 60 frames per second. You can achieve this speed with a USB 3 connection.

The ZoomCam Speech automatically reduces its frame rate when the connection is not optimal. As a solution, you can:

- Decrease the resolution in the viewer. The frame rate will be increased automatically.
- Use a USB 3 cable.
- Use a computer / tablet with a USB 3 port.
- Use a high-performance computer.
- Use a high-performance program to display the images.

SOUND

The sound is transferred by the audio interface available as "ZoomCam Speech USB Audio Stream". You will find it in the list of available audio devices. Depending on the operating system or application, you need to set it to listen to the interface.

WINDOWS (LAPTOP, TABLET, DESK COMPUTER)

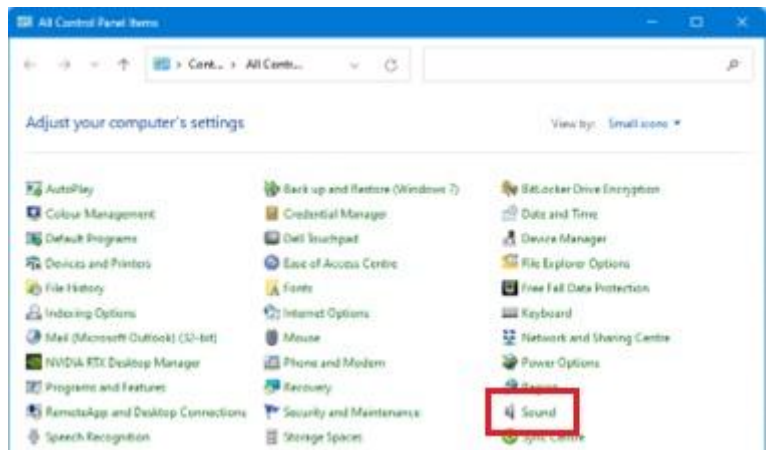
The ZoomCam Speech works best in combination with a Windows computer or tablet equipped with an USB 3 port, preferably USB-C. ZoomCam Speech was successfully tested on several devices, but there is no guarantee that the ZoomCam Speech will function on all devices.

Under Windows, the ZoomCam Speech shows images in various programs.

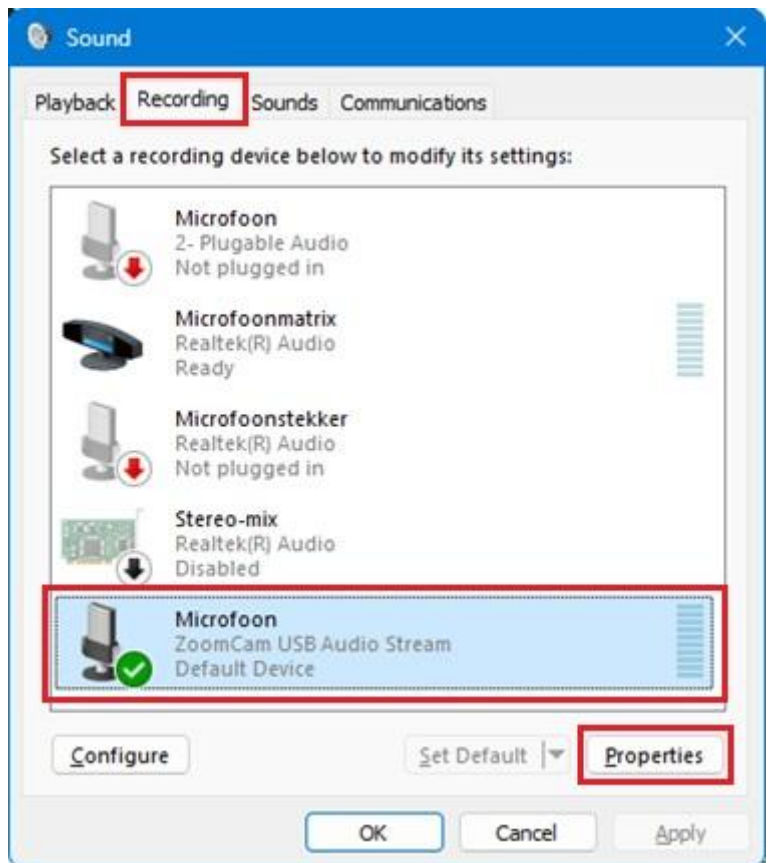
Audio

ZoomCam Speech sound cannot be heard through the internal speakers before setting it up in Windows.

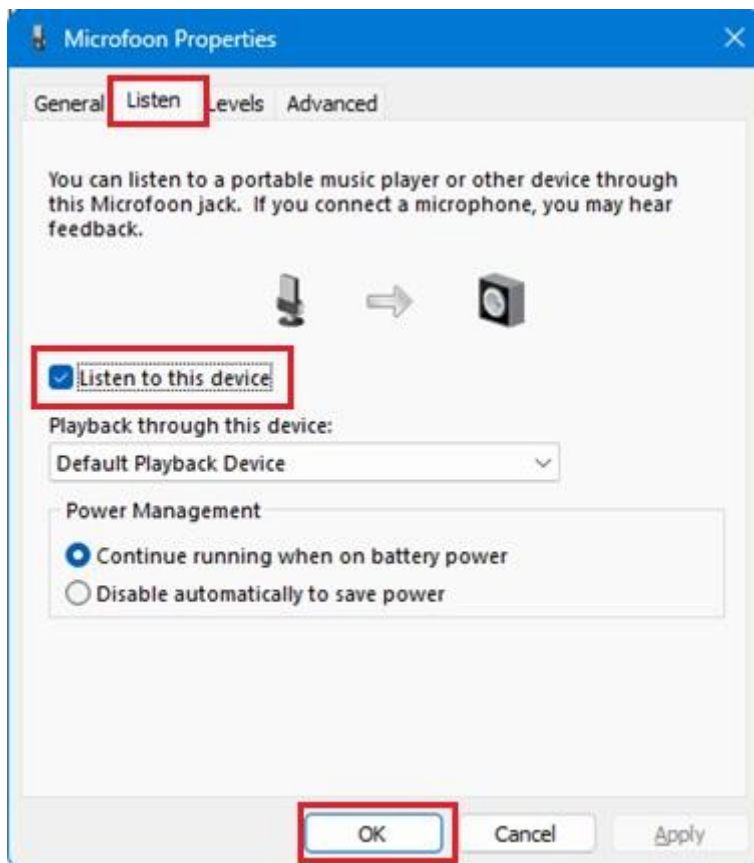
- Open the old Windows Control Panel. Click the start button and type "**control panel**" and open.
- Open **Sound**.



- Click on tab **Recording**.
- Select Microphone ZoomCam Speech USB Audio Stream and click **Properties**.




- Click on tab **Listen**.
- Enable **Listen to this device**.
- Click **OK**. Click **OK**. Close the control panel window.



Image

In Windows, the ZoomCam Speech displays images in several applications.

SuperNova (full screen and split screen)

You can switch on or off "Connect and View"  using the "Visual" options in the SuperNova control panel.

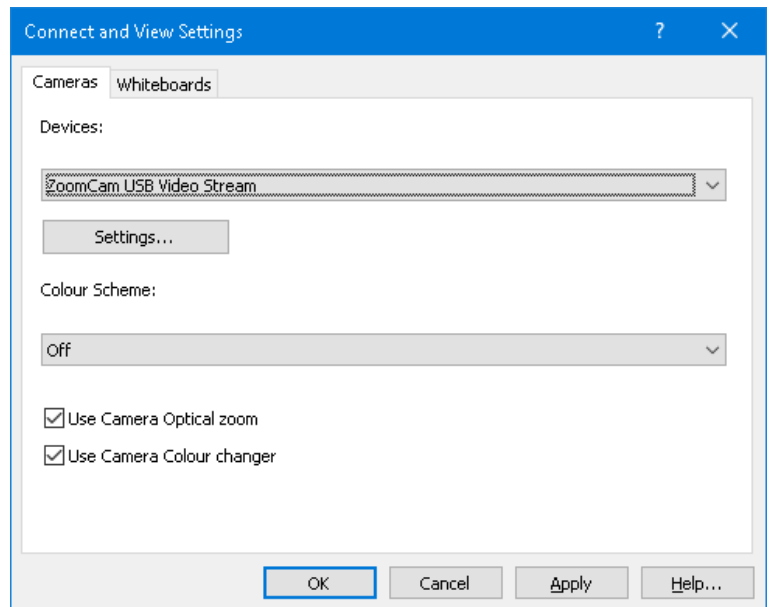
Hot key: ALT + NUMPAD ENTER (computer) or LEFT SHIFT + CAPS LOCK + 0 (laptop).

When you turn on "Connect and View" a portion of the screen begins to show the image from the camera or whiteboard. This area is called the Viewer. You can change the position of the Viewer on the screen and you can use the Viewer Toolbar to adjust the size, colour and contrast of the image to make it easier to see.

Selecting the camera

In the "Visual" option, open the "Connect and View" submenu and choose "Settings". The "Connect and View Settings" dialog box opens showing the "Camera" settings.

- Select the **ZoomCam Speech** from the "Devices" list.
- Check Use Camera Optical Zoom. This means that SuperNova can control the magnification of the camera, which improves image quality.
- Check Use camera colour change. This means that SuperNova can control the colours of the camera, which improves image quality.
- TIP: Under the Settings button you can set the resolution. We recommend selecting 1920 x 1080, 60 fps. If the picture is slow, you can lower the resolution.
- Choose **OK** button.



Adjusting the viewer position and size

By default, the Viewer appears on the top half of the screen. You can change the position and size of the Viewer through the "Connect and View" settings in the SuperNova Control Panel. You can dock the viewer to the top, bottom, left or right side of the screen and the Viewer can be set to fill 80%, 50% or 20% of the screen area.

You can also set the Viewer to "Full Screen". While in Full Screen Mode, you can continue to use CAPS LOCK + MIDDLE MOUSE BUTTON to switch between the Viewer and the desktop.

Switching between the Viewer and the desktop

To access the Viewer toolbar and to make adjustments to the image requires you to place the focus in the Viewer area.

You can switch between the Viewer and the desktop by pressing CAPS LOCK + MIDDLE MOUSE BUTTON. If you have both an active camera and whiteboard connection then pressing CAPS LOCK + MIDDLE MOUSE BUTTON cycles you between camera, whiteboard and desktop.

Magnification



You can change the size of the image in the Viewer by using the magnification buttons in the Viewer Toolbar. If you are using a touchscreen device, you can also change magnification by doing a 2 finger pinch or 2 finger stretch.



You can also use the following hot keys:

Zoom in: LEFT CONTROL + NUMPAD PLUS or CAPS LOCK + MOUSE WHEEL UP or ALT + EQUALS

Zoom out: LEFT CONTROL + NUMPAD MINUS or CAPS LOCK + MOUSE WHEEL DOWN or ALT + DASH



Always use SuperNova in optical zoom mode. This has the best result.

This icon means you are in optical zoom mode.

Changing the colours of the image



If you are finding viewing the image difficult because of the colours and contrast, then you can use the Colour Changer button to cycle through a number of different colour schemes.

Locking the image



The Lock Image button lets you freeze the screen on the current image. This allows you to explore the image in more detail without the possibility of the image changing.

Although available as a Viewer Toolbar button when using a camera, you may find this option more useful when viewing presentations as it will allow you to freeze the screen on a particular slide rather than relying on the teacher to stop the presentation at that point. When you unlock the



image the Viewer refreshes the current camera image or shows the current presenter's computer screen.

Capture image



The Capture Image button lets you copy the image in the Viewer to the Windows Clipboard. Pressing CAPS LOCK+P also copies the image in the Viewer to the Windows Clipboard.

You can then copy the image into a document or you can convert the image you have captured to text by using the SuperNova "Scan and Read" options, or by pressing LEFT CONTROL+CAPS LOCK+O.

Reading aloud



The OCR button lets you OCR the image of the camera.

Other functions

We recommend not to use them.

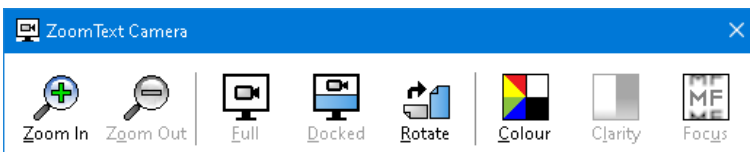
Rotate: Rotate the camera head of the ZoomCam Speech to rotate the image.

Focus: Do not adjust this. The ZoomCam Speech has an automatic focus.

ZoomText (full screen and split screen)

To start the camera click the Camera button on the Tools toolbar tab, or use hot key: CAPS LOCK + CTRL + C.

Tip: When using the camera hot key with default ZoomText settings, the layered keys banner is shown on top of the camera image. Disable the banner via ZoomText – Command Keys – Button Banner Settings – Uncheck Display the layered keys banner.

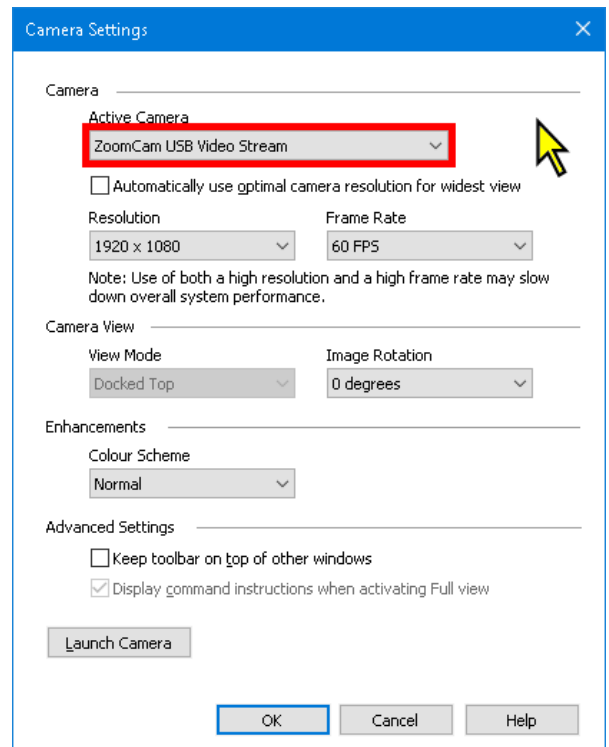


If the Camera toolbar is not in view, press CAPS LOCK + CTRL + C to engage the camera layered key command mode and then press T to bring the toolbar into view.

Selecting the camera

On the Tools toolbar tab, click the arrow next to Camera or navigate to Camera and press the down arrow key. In the Camera menu, choose Settings.

- In the Active Camera list box, select ZoomCam Speech USB Video stream.
- Disable: Automatically set camera resolution.
- Resolution: **1920 x 1080**
- Frame Rate: **60 FPS**
- Click **OK**.
- TIP: Save your settings under ZoomText – Configurations – Save as default. This will save your settings so you don't have to redo all the settings again.



Adjusting the viewer position and size

In the Camera toolbar you can choose:

Full screen: the whole screen shows the image of the ZoomCam Speech. To switch between Full and Docked view, press CAPS LOCK + CTRL + C to activate layered keys mode, then press Tab to switch between Docked / Full View.

Docked view (split screen): the image of the ZoomCam Speech is displayed on 50% of the screen. You choose where you want the image to be displayed. You can choose from: top, right, bottom, left. Hotkey: CAPS LOCK + LEFT / RIGHT ARROW

Magnification

Use the buttons on the ZoomCam Speech remote control to do this. The buttons in the ZoomText Camera Toolbar also work, but they zoom in and out in large steps.

Other functions

We recommend not to use them.

Rotate: Rotate the camera head of the ZoomCam Speech to rotate the image.


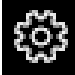
Colour: Set this function to normal. Use the ZoomCam Speech remote to adjust the colors.

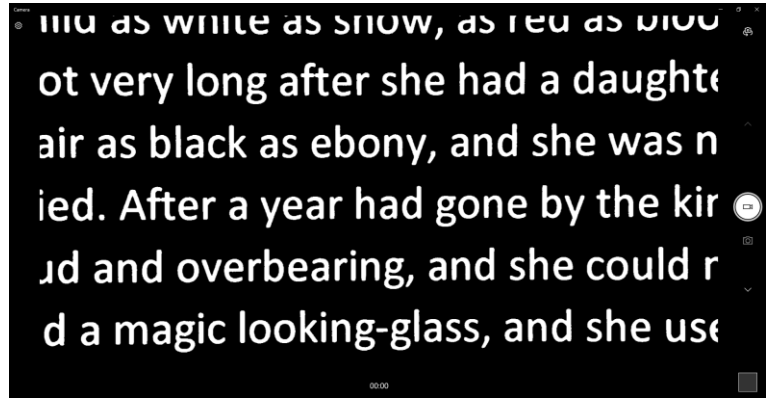
Brightness: Do not adjust this. Use the ZoomCam Speech remote control to adjust the brightness.

Focus: Do not adjust this. The ZoomCam Speech has an automatic focus.

Windows Camera



- Open Windows Camera.
- Click on Next camera  if the ZoomCam Speech image isn't displayed.
- Click on Settings  to change resolution and frame rate. Select 1080p 16:9 60fps.



TIP: In Windows Camera, you have the possibility to take a screen shot or to record a video. For the video, Windows Camera uses the microphone of your computer or tablet.

MAC OS (LAPTOP, PERSONAL COMPUTER)

The ZoomCam Speech works best in combination with a Mac computer equipped with an USB 3 port, preferably USB-C. ZoomCam Speech was successfully tested on several devices, but there is no guarantee that the ZoomCam Speech will function on all devices.

Audio and image

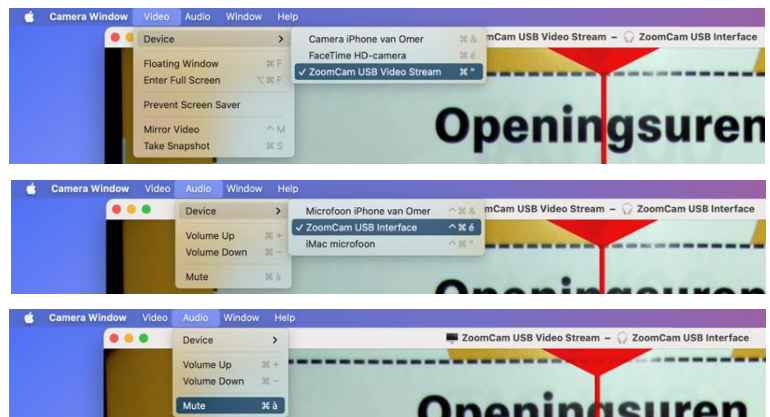


- Install the Camera Window app from the App Store.
- Open Camera Window.



Configuration

- Click Video – Device and select ZoomCam USB Video Stream.
- Click Audio – Device and select ZoomCam USB Interface.
- Uncheck Mute at Audio Mute.



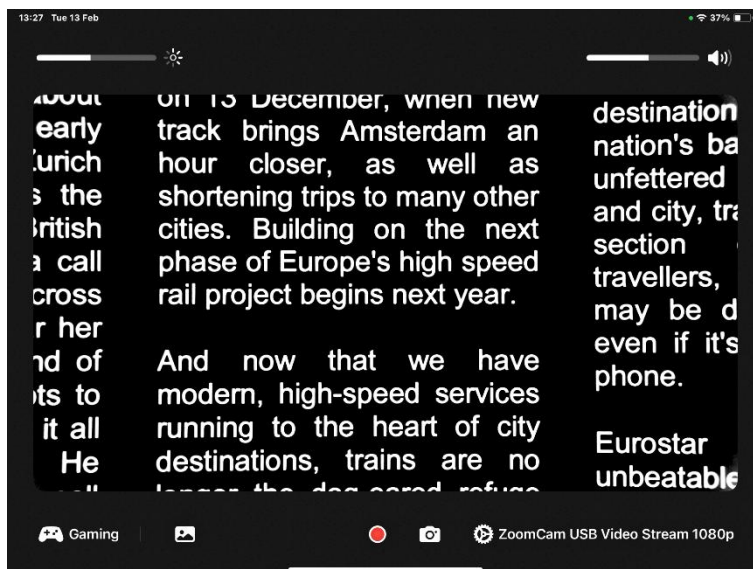
IPADOS (TABLET)

ZoomCam Speech is compatible with iPads equipped with a USB-C port. iPad Pro and iPad Air have been successfully tested and deliver high-speed images (USB 3 port). The standard iPad 10th generation does not have a fast USB port (USB 2) which gives slower image refresh. Lowering the image resolution offers a solution here. We cannot guarantee that the ZoomCam Speech will work on every device.

Audio and image



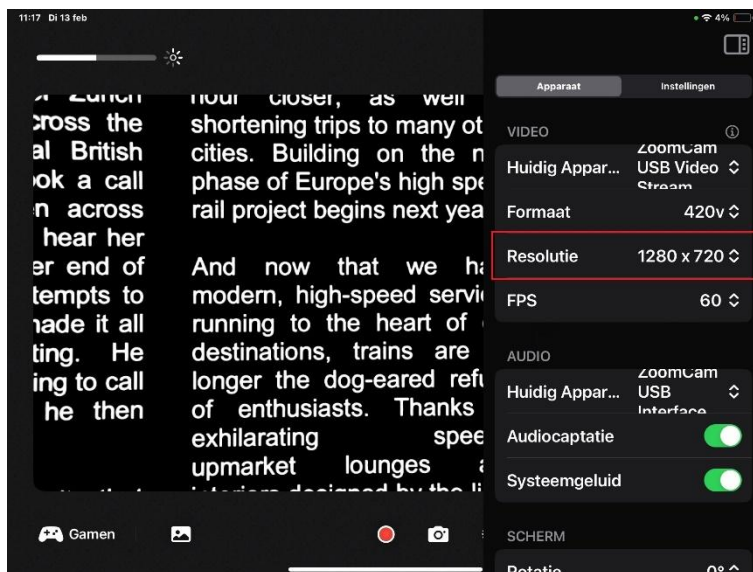
- Install the CamX – USB Camera app from the App Store.
- Open CamX.



Configuration

For slow image refresh, lower image resolution.

- Click the cog in the lower-right corner at ZoomCam SUB Video Stream.
- Set resolution to 1280 x 720.



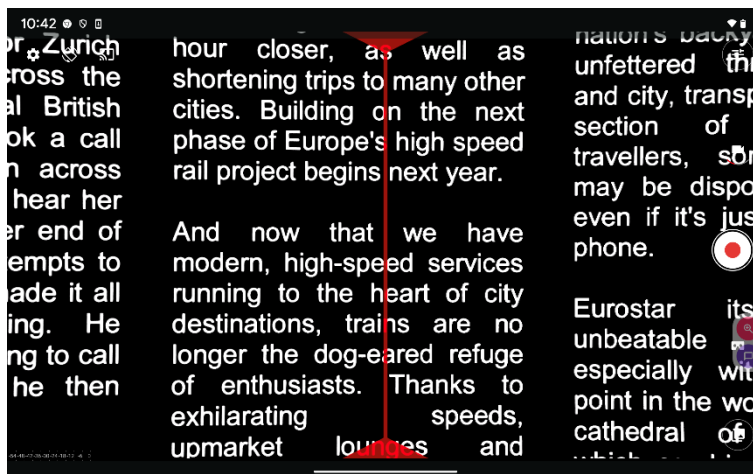
ANDROID (TABLET, SMARTPHONE)

The ZoomCam Speech works best in combination with an Android tablet or smartphone equipped with an USB 3 port, preferably USB-C. ZoomCam Speech was successfully tested on several devices, but there is no guarantee that the ZoomCam Speech will function on all devices.

Audio and image

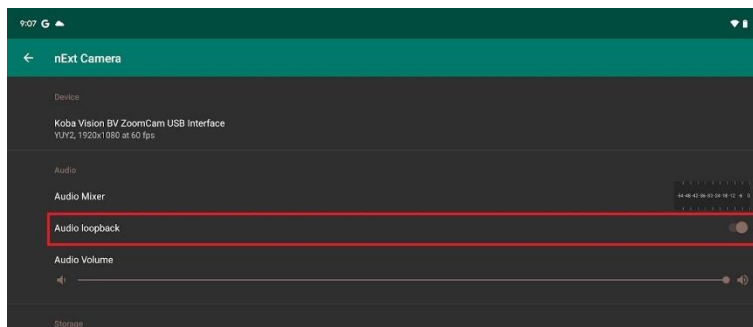


- Install the nExt Camera app from the Google Play Store.
- Open nExt Camera.



Configuration

- Click the cog in the upper left corner.
- Enable Audio loopback.



CHROME OS (CHROMEBOOK)




The ZoomCam Speech works best in combination with a ChromoBook equipped with an USB 3 port, preferably USB-C. ZoomCam Speech was successfully tested on several devices, but there is no guarantee that the ZoomCam Speech will function on all devices.

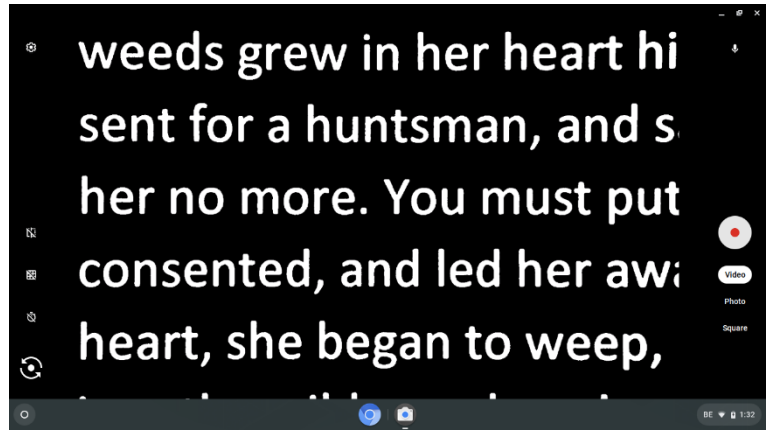
Audio

Chrome OS can't play audio from the ZoomCam Speech on the device's own speakers. This combination requires the use of headphones or external speakers via the included USB-C to Mini Jack 3.5 mm adapter or via the optional Bluetooth adapter. See: Chapter 3 - Headphone and external speakers.

Image



- Open the Camera app in the start menu.
- Click on Next camera  if the ZoomCam Speech image isn't displayed.
- Click on Mirroring  if you see the image in mirror.
- For best view, click on Video .



Chapter 6: Usage tips

READING ALOUD – TEXT BLOCKS

Reading aloud is best done in a reading mode where you easily can select the text blocks.

READING ALOUD – RECOGNITION

Text recognition isn't 100% accurate. The devices will make mistakes. By changing the magnification you can adapt the quality of recognition.

READING

Reading is best done in positive or negative mode. These modes adapt the image for the visually impaired to a high-contrast image with improved background. Background and letters can be set at your discretion. The background can be set by means of background suppression. This will allow you to filter out the structure of a sheet. This unique KOBA Vision function allows you at all times to set a high contrast background without annoying paper impurities. A newspaper can be read without annoying paper impurities. Factory settings will take you back to the original settings.

WATCH PHOTOS

Photos are best watched in photo mode. This mode is a unprocessed image without contrast enhancement. By changing the brightness, you can adjust the image so that the photo becomes clearly visible. Quality is slightly improved when locking the auto focus.

CRAFTING

Crafting is best done with a small magnification. It is better to select a dark background during this activity so that the camera is not hindered by large differences in contrast with whatever is darkened by the hands.

WRITING

You can also write under the ZoomCam Speech. It is best to use a black pen and lined paper.

Chapter 7: Warranty

WARRANTY

KOBA Vision offers a two-year warranty on every ZoomCam Speech, starting from the delivery date. To be able to benefit from the warranty, you need to keep the box and the packaging material.

Warranty services are provided by KOBA Vision or dealers acting on behalf of KOBA Vision. When the ZoomCam Speech cannot be repaired correctly, KOBA Vision reserves the right to replace the reading device by an equal device. All components and products replaced within the warranty period become property of KOBA Vision.

WARRANTY PROVISIONS

The warranty becomes invalid if the KOBA Vision ZoomCam Speech:

- Was not used according to instructions or was misused;
- Was damaged as a result of a fall or impact;
- Was disassembled or tinkered with;
- Was repaired earlier by a non-official service partner.

Consequential loss is under no circumstances covered by the warranty.

KOBA Vision will neither assume any liability whatsoever nor accept any possibility of liability except for the warranty provisions explicitly stated above. This limitation to the liability does not imply a breach of the customer's legal consumer rights or his or her rights vis-à-vis the vendor.

SERVICE FULFILMENT

Before claiming the warranty or service and before contacting KOB Vision or a dealer, you must note product name, serial number, purchase date, invoice number and any error messages or particular problem aspects.

SERIOUS INCIDENT REPORTING

In the event of a serious incident taking place during use of this product, affecting the user, it must be reported to the product manufacturer or authorised distributor. Should the incident take place within the European Union (EU), it must also be reported to the local competent authority within the member state.

MANUFACTURER

KOBA Vision bv
De Oude Hoeven 6
3971 Leopoldsburg
Belgium

Tel. +32 11 51 70 80
info@kobavision.be
www.kobavision.be

SWISS AUTHORISED REPRESENTATIVE

Accesstech AG
Bürgenstrasse 12
6005 Luzern
Switzerland

Tel: +41 41 227 41 27
info@accesstech.ch
www.accesstech.ch

Deutsch - Gebrauchsanweisung

Diese Gebrauchsanweisung beschreibt die KOBA Vision ZoomCam Speech. Die aktuelle Version der Gebrauchsanweisung können Sie auf der Webseite von KOBA Vision herunterladen: www.kobavision.be.

Kapitel 1 : Sicherheits- und Wartungsvorschriften



SICHERHEITSVORSCHRIFTEN

Mit dem ZoomCam Speech gelesener Text ist unter keinen Umständen garantiert 100 % korrekt. Der ZoomCam Speech lässt sich nur als Hilfsmittel beim Lesen verwenden.

Der Adapter darf nur mit einem gleichen Adapter (5V, max. 3A, EN60601-1) und nur bei ausgeschaltetem Gerät ausgetauscht werden, nachdem der Adapter vom Netz getrennt worden ist!

Der Entwurf der Anschlüsse lässt nur eine einzige Anwendungsweise zu. Gehen Sie mit den Anschlüssen vorsichtig um. Stellen Sie die Stromversorgung des Geräts an einen gut belüfteten Platz

Versuchen Sie nie, das Gerät selbst instand zu setzen! Es ist gefährlich, die gegen Elektroschock schützenden Schutzkappen zu entfernen! Bei Mängeln bitte KOBA Vision oder Ihren Händler benachrichtigen!

Stellen Sie sicher, dass keine Flüssigkeiten das Gerät beeinträchtigen können, damit es nicht zu Stromschlägen kommen kann.

Lesen Sie die Anleitung und Sicherheitsvorschriften des Bildschirms, Rechners oder eines anderes Peripheriegerätes.

Stellen Sie das Gerät an einem trocknen, gut belüfteten und sauberen Ort auf. Stellen Sie Ihr Gerät bitte nicht unmittelbar in die Sonne. Vermeiden Sie auch, das Gerät direkt neben der Heizung aufzustellen.

Wenn das Gerät von einer kalten in eine warme Umgebung gebracht wird, kann sich Kondenswasser bilden. Um Kondensation zu vermeiden, muss sich das Gerät 30 Minuten lang akklimatisieren.

Dieses Gerät ist ausschließlich als Instrument zum Vergrößern und Vorlesen von Dokumenten bestimmt. Mit einer Änderung des Bestimmungszwecks erlischt die Gültigkeit der CE-Kennzeichnung.

Stellen Sie das Gerät in einer Umgebungstemperatur von höchstens 35°C auf.

Ihr Produkt wurde aus hochwertigen Materialien und Komponenten entwickelt und hergestellt, die wiederaufbereitet und weiterverwendet werden können. Werfen Sie Ihr altes Produkt nicht in den Hausmüll. Entsorgen Sie das komplette Produkt (einschließlich der Kabel, Stecker und des Zubehörs) bei der zuständigen Sammelstelle.



WARTUNGSVORSCHRIFTEN

- Trennen Sie immer die Kabel vom Gerät, ehe Sie das Gerät reinigen.
- Reinigen Sie das Gerät und das Objektiv von Zeit zu Zeit mit einem feuchten Tuch zum Reinigen von Computern und Bildschirmen.
- Stellen Sie sicher, dass keine Flüssigkeit in das Gerät gelangt.
- Bitte gehen Sie vorsichtig mit Ihrem Gerät um. Nur so wird es Ihnen jahrelang Freude bereiten.

CE

Dieses Gerät führt die CE Kennzeichnung.



FCC

Dieses Gerät führt die FCC Kennzeichnung.



Dieses Gerät wurde getestet und entspricht den Grenzwerten für ein digitales Gerät der Klasse B gemäß Teil 15 der FCC-Bestimmungen. Diese Grenzwerte sollen einen angemessenen Schutz vor schädlichen Interferenzen bei einer Installation in Wohngebieten bieten. Dieses Gerät erzeugt, verwendet und kann Hochfrequenzenergie ausstrahlen und kann, wenn es nicht gemäß den Anweisungen installiert und verwendet wird, schädliche Störungen des Funkverkehrs verursachen. Es gibt jedoch keine Garantie dafür, dass bei einer bestimmten Installation keine Interferenzen auftreten. Wenn dieses Gerät schädliche Störungen beim Radio- oder Fernsehempfang verursacht, was durch Ein- und Ausschalten des Geräts festgestellt werden kann, der Benutzer wird aufgefordert, zu versuchen, die Störung durch eine oder mehrere der folgenden Maßnahmen zu korrigieren:

- Richten Sie die Empfangsantenne neu aus oder stellen Sie sie neu auf.
- Erhöhen Sie den Abstand zwischen Gerät und Empfänger.
- Schließen Sie das Gerät an eine Steckdose an, die sich von dem Stromkreis unterscheidet, an den der Empfänger angeschlossen ist.
- Wenden Sie sich an den Händler oder einen erfahrenen Radio- / Fernsichttechniker.

Dieses Gerät entspricht Teil 15 der FCC-Bestimmungen. Der Betrieb unterliegt den folgenden zwei Bedingungen:

1. Dieses Gerät darf keine schädlichen Interferenzen verursachen und
2. dieses Gerät muss alle empfangenen Störungen akzeptieren, einschließlich Störungen, die einen unerwünschten Betrieb verursachen können.

Kapitel 2: Inbetriebnahme

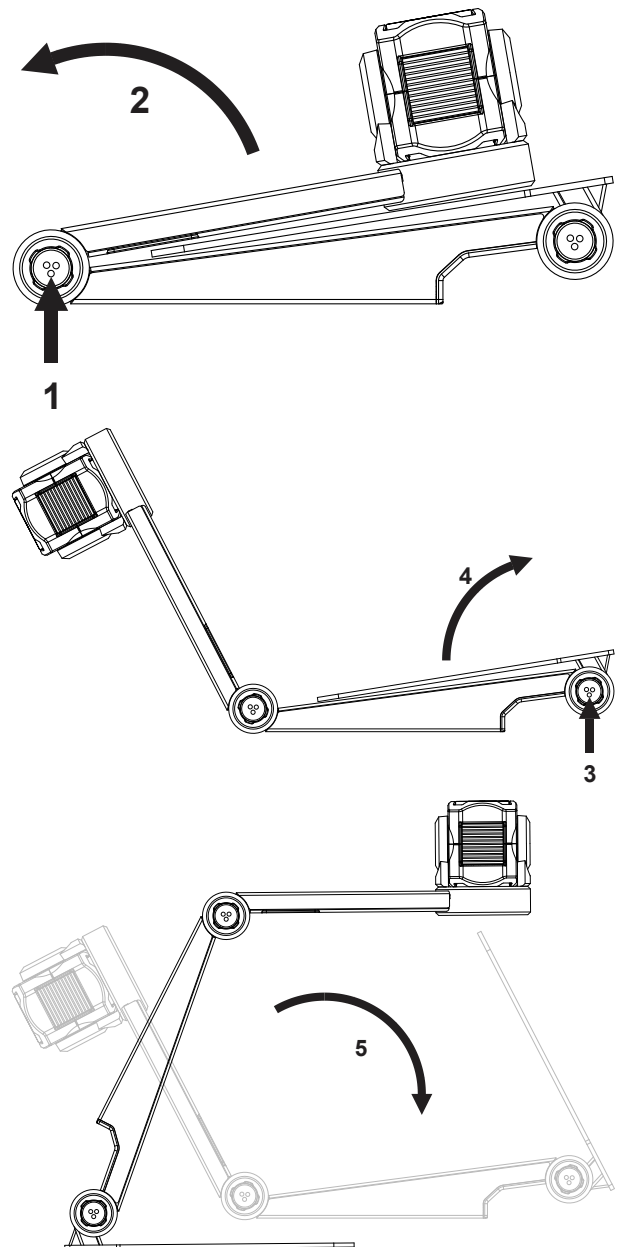
INHALT

Im Lieferumfang der ZoomCam Speech ist Folgendes enthalten:

- ZoomCam Speech-Kamera
- USB-C – USB-C 3 Kabel von 1 Meter
- USB-C – USB-A 3 Kabel von 1 Meter
- HDMI-Kabel von 2 Metern
- USB-C-Netzteil
- T-Halterung ZoomCam Speech
- 2x Fernbedienung ZoomCam Speech
- 2x AAA-Batterien
- Schutztasche
- Lesetablett
- Adapter USB-C - Mini-jack 3,5 mm (Audio)
- Bedienungsanleitung

BETRIEBSBEREIT MACHEN UND AUFBEWAHREN

1. Drücken Sie auf den großen runden Knopf im Scharnier zwischen den beiden Armen der ZoomCam Speech. Der Knopf hat 3 Tastpunkte.
2. Halten Sie den Knopf gedrückt und klappen Sie den Arm auf, bis der Knopf automatisch herauspringt.
3. Drücken Sie auf den großen runden Knopf im Scharnier zwischen dem Arm und dem Fuß. Der Knopf hat 3 Tastpunkte.
4. Halten Sie den Knopf gedrückt und klappen Sie die Fußplatte auf, bis der Knopf automatisch herauspringt.
5. Drehen Sie die ZoomCam Speech und setzen Sie die ZoomCam Speech auf die Fußplatte.
6. Fertig.

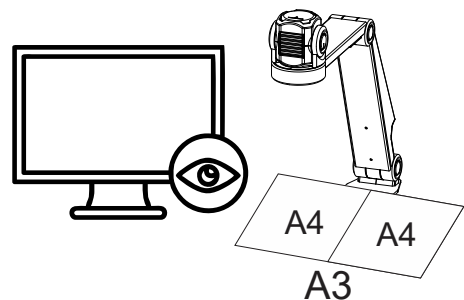


POSITION

Sie können die ZoomCam Speech auf verschiedene Arten verwenden:

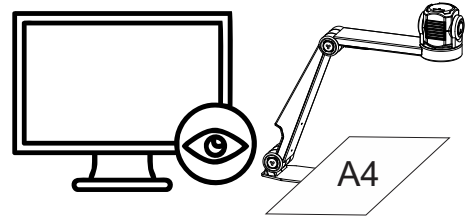
1. Hinten (empfohlen)

Der Fuß der Kamera wird rückseitig aufgestellt. Sie drehen die Kamera um ihre Achse, um das Bild gerade einzustellen. Sie haben die Möglichkeit, sich ein A3-Blatt anzusehen. In dieser Position gibt es weniger Lichtflecken und Reflexionen.



2. Links oder rechts

Der Fuß der Kamera wird links oder rechts aufgestellt. Sie drehen die Kamera um ihre Achse, um das Bild gerade einzustellen. Sie haben die Möglichkeit, sich ein A4-Blatt anzusehen.



3. Andere Positionen

Sie drehen die Kamera um ihre Achse, um das Bild gerade einzustellen.

ANSCHLÜSSE

1. HDMI-Port (HDMI)

Der HDMI-Anschluss überträgt die Bilder von der ZoomCam Speech auf einen Bildschirm. Dieser kann sowohl ein Fernsehbildschirm als auch ein Monitor sein.

2. USB-C 3-Anschluss (PWR)

Strom

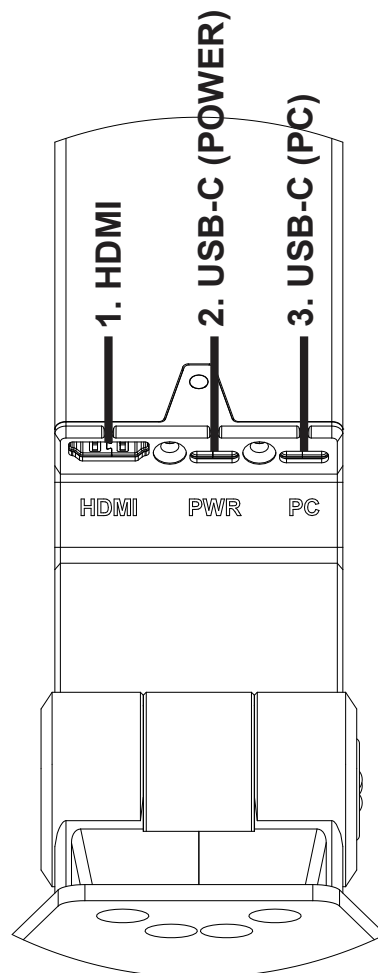
Dieser USB-Anschluss versorgt das System zusätzlich mit Strom. Dieser USB-Anschluss wird verwendet, wenn die andere USB-Verbindung nicht genügend Strom liefert, oder wenn Sie eine externe Batterie oder ein Netzteil anschließen möchten.

Sound

Dieser USB-Anschluss ist auch für den Anschluss des USB-C - 3,5 mm MiniJack-Adapters oder des optionalen USB-C Bluetooth-Adapters vorgesehen.

3. USB-C 3-Anschluss (PC)

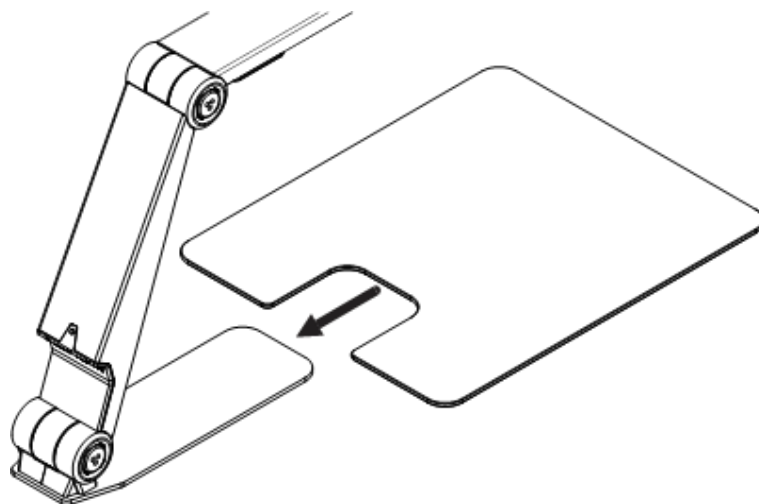
Der USB-Anschluss überträgt die Bilder auf einen Computer oder ein Tablet. Der Anschluss versorgt auch das Gerät mit Strom. Dieser USB-Anschluss ist der Hauptanschluss.



LESETABLETT

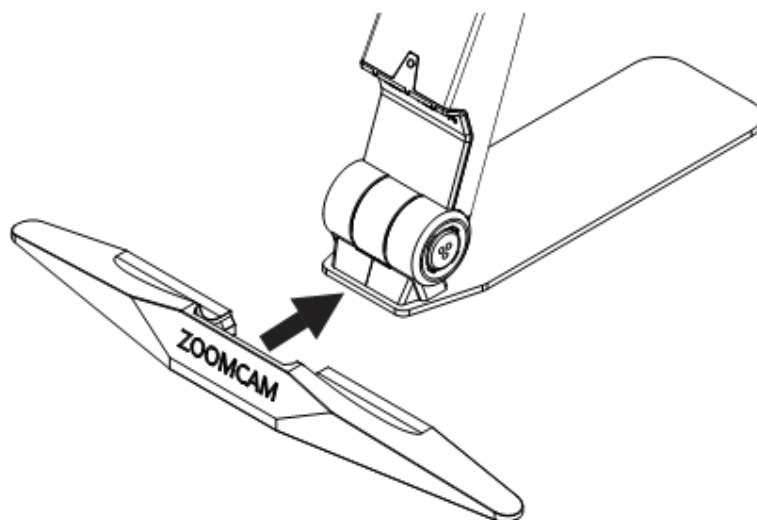
Das Lesetablett dient dazu, Dokumente sanfter über den Fuß der ZoomCam Speech zu bewegen. Mit dem Lesetablett können Dokumente bequemer gelesen werden.

Positionieren Sie die Rille unter des Lesetabletts über dem Fuß der ZoomCam Speech. Nun haben Sie eine glatte Fläche über dem Fuß der ZoomCam Speech, um Dokumente zu verschieben.



T-HALTERUNG

Durch Anbringen der mitgelieferten T-Halterung an der Rückseite des ZoomCam Speech-Sockels (magnetisch) wird das Gerät vor dem Umfallen geschützt.



STROMVERSORGUNG

Die ZoomCam Speech benötigt eine externe Stromversorgung. Schließen Sie das USB-Kabel oder ein USB-Netzteil an. Die LED-Leuchten vorne und hinten informieren Sie über die Stromquelle.

- 3x grün: ausreichend Strom. Die ZoomCam Speech wird über USB-C- oder über 2 USB-A-Netzteile mit Strom versorgt. Die ZoomCam Speech lässt sich einschalten.
- 3x gelb: eine ausreichende Stromversorgung ist nicht gewährleistet. Die ZoomCam Speech wird von einem anderen als einem USB-C-Netzteil gespeist. Das Einschalten der ZoomCam Speech ist möglicherweise problematisch.
- 6x rot: die ZoomCam Speech kann aufgrund einer unzureichenden Stromversorgung nicht eingeschaltet werden. Schließen Sie eine zweite Stromquelle über USB an.

ANSCHLUSS DER ZOOMCAM SPEECH AN EINEN BILDSCHIRM

Um mit der ZoomCam Speech über einen Bildschirm zu lesen, schließen Sie die ZoomCam Speech über den HDMI-Anschluss an. Sie können das Gerät mit dem mitgelieferten USB-C-Adapter oder durch

Anschließen der ZoomCam Speech an einen USB-Port des Bildschirms mit ausreichender Leistung versorgen. Dafür verwenden Sie:

- HDMI Kabel → mit dem HDMI-Anschluss verbinden.
- USB-C-Netzteil oder USB-C - USB-A-Kabel für den Anschluss an den Bildschirm → **mit 1 der 2 USB-Anschlüsse verbinden.**

Es wird empfohlen, einen Bildschirm mit eingebauten Lautsprechern zu verwenden, damit die Vorlesefunktion ohne zusätzlichen Anschluss verfügbar ist.

Wenn der Bildschirm nicht über eingebaute Lautsprecher verfügt, lösen Sie dies durch:

- Schließen Sie den mitgelieferten **USB-C - Mini Jack 3,5 mm Adapter** an den mittleren USB-Anschluss an. Schließen Sie das Netzteil an den äußeren USB-C-Anschluss an. Schließen Sie externe Lautsprecher oder Kopfhörer an den Mini Jack 3,5 mm an.
- Schließen Sie den **optionalen Bluetooth-Adapter** an den mittleren USB-Anschluss an. Schließen Sie das Netzteil an den äußeren USB-C-Anschluss an. Schließen Sie einen Bluetooth-Lautsprecher oder -Kopfhörer an. Indem Sie die Taste am Adapter lange drücken, damit sich der Bluetooth-Adapter im Pairing-Modus befindet. Bringen Sie die Lautsprecher oder Kopfhörer ebenfalls in den Pairing-Modus. Beide Geräte werden automatisch gekoppelt. Eine Liste der kompatiblen Bluetooth-Adapter finden Sie in den Spezifikationen auf der Rückseite dieses Handbuchs.

ANSCHLUSS DER ZOOMCAM SPEECH AN EINEN COMPUTER ODER EIN TABLET

Um mit der ZoomCam Speech über einen Computer, ein Tablet oder ein Smartphone zu lesen, verwenden Sie den USB-Anschluss. Auch das Gerät versorgen Sie mit dem USB-Anschluss. Wenn das Gerät nicht ausreichend mit Strom versorgt wird, verwenden Sie den zweiten USB-Anschluss. Dafür verwenden Sie:

- USB-C-Kabel → mit dem äußersten USB-C-Anschluss (PC) – 3
- Wenn die ZoomCam Speech nicht über genügend Strom verfügt oder Sie einen externen Akku anschließen möchten, verwenden Sie ein USB-Kabel → **mit dem mittleren USB-C-Anschluss verbinden – 2**

USB 3, Typ USB-C 3A

Die ZoomCam Speech funktioniert optimal mit einem USB 3, Typ USB-C 3A.

Wenn Sie die ZoomCam Speech anschließen, blinkt die LED **grün**.

USB 3, Typ USB-C 1,5A

Jeder USB-C-Anschluss liefert mindestens 1,5 A. Dieser Anschluss liefert möglicherweise nicht genügend Strom. Wenn die ZoomCam Speech nicht genügend Strom erhält, blinkt die LED beim nächsten Start sechsmal rot. Schließen Sie in diesem Fall das Netzkabel an, schließen Sie ein 2. USB-Kabel an den Computer oder das Tablet an oder verbinden Sie ein 2. USB-Kabel mit einem externen Akku.

Wenn Sie die ZoomCam Speech anschließen, blinkt die LED **gelb**.

USB 3, Typ USB-A

Es ist auch möglich, einen USB 3 vom Typ USB-A zu verwenden. Dieser Anschluss liefert möglicherweise nicht genügend Strom. Wenn die ZoomCam Speech nicht genügend Strom erhält, blinkt die LED beim nächsten Start sechsmal rot. Schließen Sie in diesem Fall das Netzkabel an, schließen Sie ein 2. USB-Kabel an den Computer oder das Tablet an oder verbinden Sie ein 2. USB-Kabel mit einem externen Akku.

Wenn Sie die ZoomCam Speech anschließen, blinkt die LED **gelb**.

USB 2, Typ USB-A

Es ist auch möglich, einen USB 2 vom Typ USB-A zu verwenden. Dieser Anschluss liefert zu wenig Strom. Wenn die ZoomCam Speech nicht genügend Strom erhält, blinkt die LED beim nächsten Start sechsmal rot. Schließen Sie in diesem Fall das Netzkabel an, schließen Sie ein 2. USB-Kabel an den Computer oder das Tablet an oder verbinden Sie ein 2. USB-Kabel mit einem externen Akku.

Wenn Sie die ZoomCam Speech anschließen, blinkt die LED **gelb**.

Kapitel 3: Bedienung

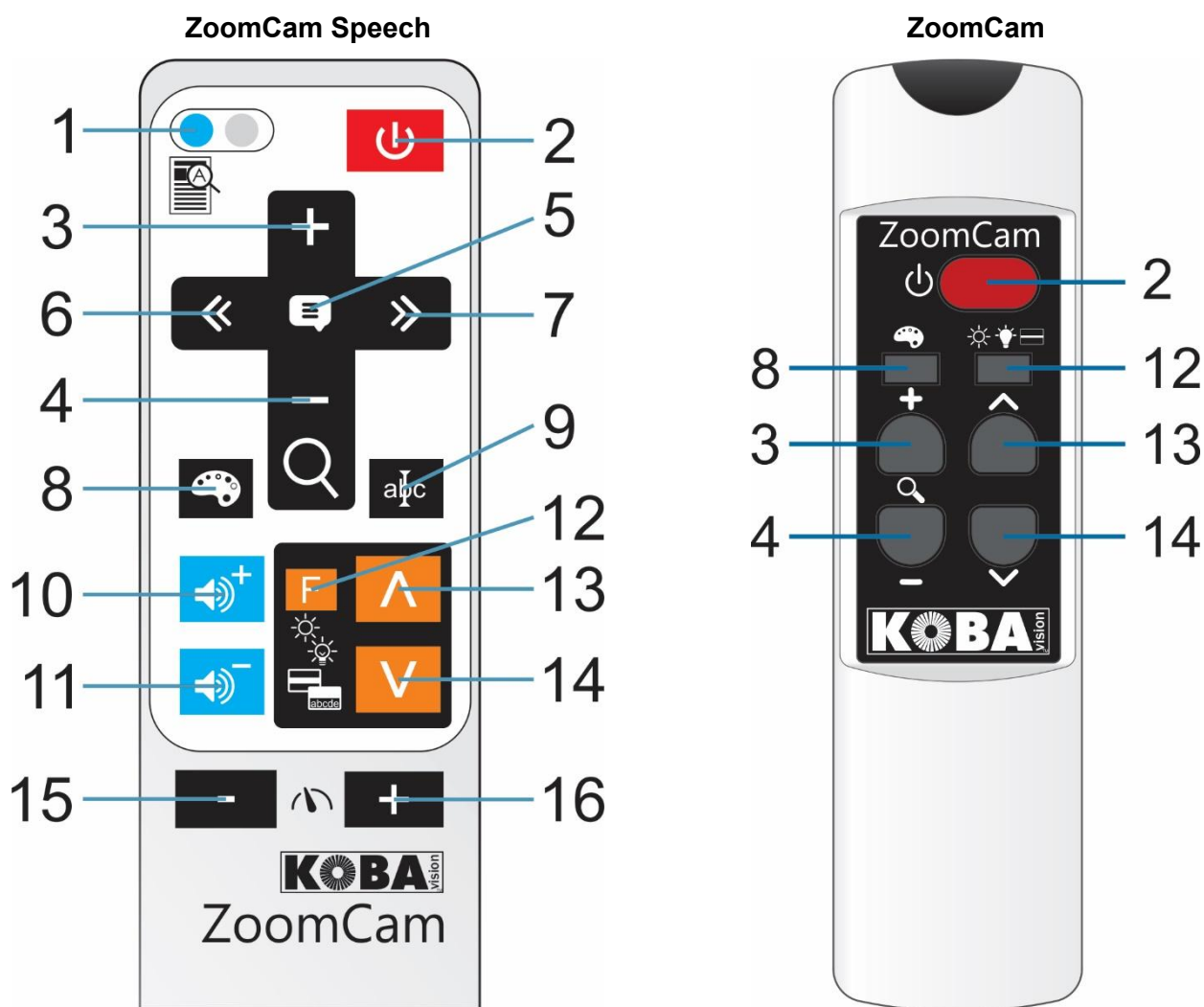
FERNBEDIENUNG

Die ZoomCam Speech wird über eine Fernbedienung bedient. Die Fernbedienung verfügt über 2 AAA-Batterien. Auf der Rückseite der Fernbedienung befindet sich eine Abdeckung, die Sie zum Ersetzen der Batterien verschieben können.

Der Empfänger befindet sich zwischen den Leuchten der ZoomCam Speech.

Die LEDs auf der Vorder- und Rückseite der ZoomCam Speech blinken, wenn Sie einen Knopf eindrücken.

ZoomCam Speech ist sowohl mit der ZoomCam Speech-Fernbedienung als auch mit der ZoomCam ohne Vorlesefunktion kompatibel.



1	<p>Kurzes drücken: zwischen Übersicht und Vergrößerung wechseln</p> <p>Langes drücken: ganze Bild lesen</p> <p>Langes Drücken bei ausgeschaltetem Gerät: Einschalten ohne Vorlesefunktion</p>
2	<p>Kurzes drücken: einschalten</p> <p>Langes drücken: ausschalten</p>
3	Vergrößern
4	<p>Verkleinern</p> <p>Langes drücken bei minimaler vergrößerung: ganze Seite aktivieren</p>
5	Vorlesen – Start – Pause – Stop
6	<p>Kurzes drücken: ein Wort zurück im Text</p> <p>Kurzes drücken auf ganzer Seite: ein Textblock zurück im Text</p> <p>Langes drücken: ein Satz zurück im Text</p>
7	<p>Kurzes drücken: ein Wort weiter im Text</p> <p>Kurzes drücken auf ganzer Seite: ein Textblock weiter im Text</p> <p>Langes drücken: ein Satz weiter im Text</p>
8	<p>Kurzes Drücken: umschalten zwischen Farbwiedergabe, Negativ- und Positivansicht</p> <p>Langes Drücken – negativ / positiv: Hintergrund oder Schriftfarben wechseln</p> <p>Langes drücken – Distanzmodus Farbe: spiegeln oder entspiegeln</p>
9	<p>Kurzes drücken: Spaltenauswahlhilfslinie ein-/ausblenden</p> <p>Langes drücken: Farbe der Spaltenauswahlhilfslinie wechseln</p>
10	<p>Kurzes drücken: Volumen erhöhen</p> <p>Langes drücken: Sprachen/Stimmen wechseln</p>
11	<p>Kurzes drücken: Volumen absenken</p> <p>Langes drücken: Sprachen/Stimmen wechseln</p>
12	<p>Drücken: zwischen Helligkeit, Beleuchtung, Leselinie, Lese-bereich und Ticker wechseln</p> <p>Langes Drücken (ZoomCam Speech): die Farbe von Leselinie anpassen.</p> <p>Langes Drücken (ZoomCam): zwischen Übersicht und Vergrößerung wechseln</p>
13	<p>Drücken bei Farbwiedergabe: Helligkeit erhöhen</p> <p>Drücken bei Positiv- oder Negativansicht: Hintergrund verbessern</p> <p>Drücken bei Beleuchtung: mehr Licht</p>

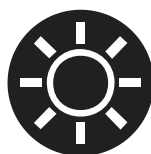
	Drücken bei Leselinie: Linie nach oben verschieben Drücken bei Lese-bereich: Lese-bereich vergrößern Drücken bei Ticker: Ticker vergrößern
14	Drücken bei Farbwiedergabe: Helligkeit reduzieren Drücken bei Positiv- oder Negativansicht: Hintergrund reduzieren Drücken bei Beleuchtung: weniger Licht Drücken bei Leselinie: Linie nach unten verschieben Drücken bei Lese-bereich: Lese-bereich verkleinern Drücken bei Ticker: Ticker verkleinern
15	Drücken: Lesegeschwindigkeit absenken
16	Drücken: Lesegeschwindigkeit erhöhen

SYMBOLE

Dank der Symbole im Bild wissen Sie, welche Funktion Sie bedienen. Bei einigen Funktionen wird links neben dem Symbol ein roter Balken angezeigt, der angibt, wie die Funktion eingestellt ist.



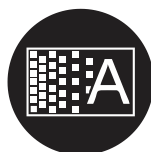
Vergrößerung. Das Bild wird vergrößert oder verkleinert.



Helligkeit. Erhöhen oder verringern Sie die Helligkeit des Bildes.



Farbwiedergabe. In dieser Ansicht wird das Kamerabild unbearbeitet angezeigt.



Hintergrund. Filtert den Hintergrund oder ändert die Dicke der Buchstaben.



Negativ- oder Positivansicht. In diesem Modus wird das Bild für einen erhöhten Kontrast in künstliche Farben konvertiert. Durch langes Drücken der Farbschaltfläche können Sie andere Farben einstellen.



Beleuchtung. Passt die Beleuchtung an.



Übersicht. In dieser Ansicht stellt sich die Kamera auf eine kleine Vergrößerung ein, um eine Übersicht zu bieten.



Leselinie. In dieser Ansicht wird eine horizontale Linie angezeigt. Sie können die Linie auf dem Bild verschieben.



Spiegelbild. Diese Ansicht ist nur im Abstandsmodus verfügbar. Im Spiegelmodus können Sie die Kamera auf Sie selbst richten.



Lesebereich. Das Bereich wird breiter oder kleiner.



Volumen. Die Lautstärke wird erhöht oder verringert. Der Balken auf dem Bildschirm zeigt den Lautstärkepegel an.



Ticker. Der Ticker vergrößert oder verkleinert sich.



Lesegeschwindigkeit. Die Lesegeschwindigkeit wird erhöht oder verringert. Der Balken auf dem Bildschirm zeigt die Höhe der Lesegeschwindigkeit an.



Spaltenauswahl. Drücken Sie lange, um die Farbe der Spaltenauswahl anzupassen.



Die Vorlesefunktion ist nicht verfügbar. Das Gerät ist ohne die Vorlesefunktion gestartet.



Navigation nach Wort oder Satz.



Bitte warten Sie. Die Vorlesefunktion wird vorbereitet. Dies kann bis zu 30 Sekunden nach dem Einschalten dauern. Die Vorlesefunktion ist bereit, wenn ein Signal ertönt.



Ausschalten. Zum Ausschalten lange drücken. Der Fortschrittsbalken zeigt an, wie lange Sie drücken müssen.

EIN-/AUSSCHALTEN

In Kombination mit einem Bildschirm oder Monitor

Das Einschalten erfolgt mit **Knopf 2**. Die meisten Bildschirme werden von der ZoomCam Speech eingeschaltet. Ist dies nicht der Fall, schalten Sie den Bildschirm ein und wählen Sie die richtige Quelle aus (siehe Bedienungsanleitung Bildschirm).

Die ZoomCam Speech wird bei langem Drücken auf **Knopf 2** ausgeschaltet. Ein roter Balken auf dem Bild zeigt an, wenn die ZoomCam Speech ausgeschaltet wird.

Einschalten ohne Vorlesefunktion

Sie können die ZoomCam Speech ohne die Vorlesefunktion einschalten. Drücken und halten Sie die **Taste 1**.

In Kombination mit einem Computer oder Tablet (Streaming)

Wird die ZoomCam Speech in der Anwendung ausgewählt, so wird sie bei Auswahl oder durch Starten der Anwendung automatisch eingeschaltet.

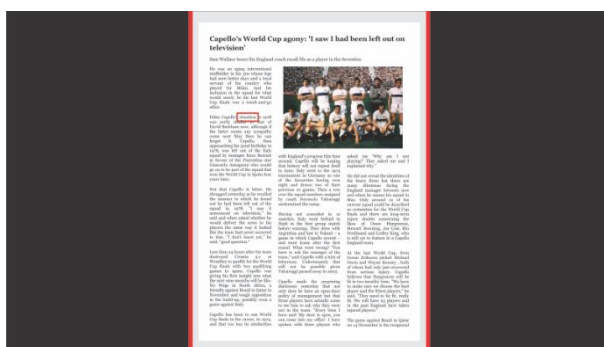
Die ZoomCam Speech schaltet sich mit einiger Verzögerung nach dem Schließen der Anwendung oder durch Auswahl einer anderen Kamera aus. Die Verzögerung ist standardmäßig auf 30 Sekunden eingestellt. Während dieser 30 Sekunden ist das Bild sofort wieder verfügbar.

VORLESEN

Der ZoomCam Speech liest alle Texte, die auf dem Bildschirm angezeigt werden. Durch Drücken der können Sie dem Vorlesen unabhängig von der gewählten Vergrößerung beginnen.

Vorgehensweise für ganze Seite

1. Platzieren Sie den Text unter der ZoomCam.
2. Der Text wird auf dem Bildschirm angezeigt.
3. Stellen Sie die Vergrößerung mit der Vergrößerungsknopf **Knopf 4** auf das Minimum ein. Halten Sie danach **Knopf 4** eingedrückt. Der Text wird nun vollständig auf dem Bildschirm angezeigt.
4. Drücken Sie auf **Knopf 5**, um mit dem Vorlesen zu beginnen. Das Bild wird eingefroren.
5. Um einen neuen Text vorlesen zu lassen, muss das Bild wieder freigegeben werden. Drücken Sie **Knopf 5** oder warten Sie einige Sekunden, nachdem das Vorlesen am Ende der Seite automatisch beendet wurde.



Pause

Das Vorlesen startet durch Drücken der **Knopf 5**. Zum Pausieren oder Fortsetzen des Vorlesens drücken Sie **Knopf 5**.

Kontinuierliches Lesen

Die ZoomCam liest den Text kontinuierlich. Beim Lesen einer vollständigen Seite müssen Sie den Text nicht verschieben. Die ZoomCam liest den gesamten Text automatisch ohne Unterbrechung.

Navigieren

Die ZoomCam kann pro Textblock oder pro Satz navigieren. Durch Halten der **Knopf 6** oder **Knopf 7** bewegt sich das Gerät jeweils einen Satz zurück oder vorwärts. Durch kurzes Drücken bewegen Sie sich einen Textblock zurück oder vorwärts.

Fortgangsanzeige

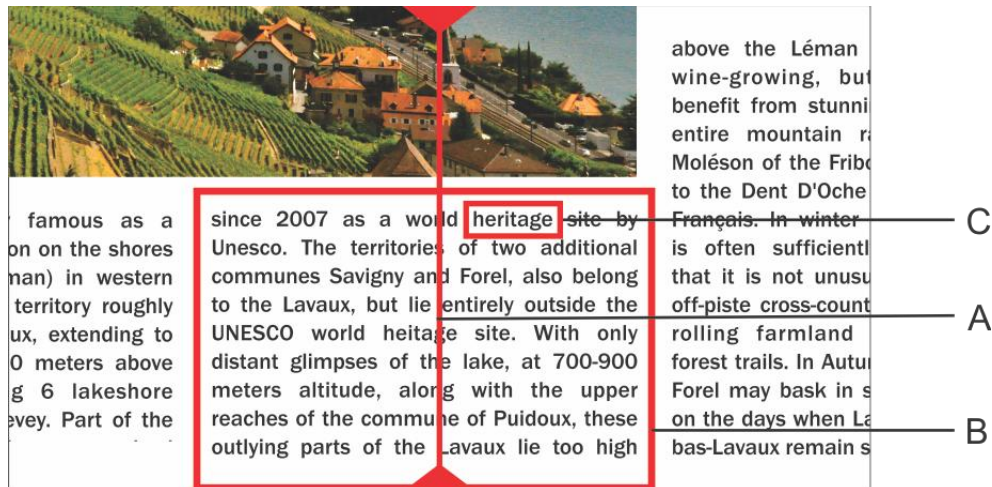
Während des Vorlesens zeigt die ZoomCam eine Fortschrittsanzeige an. Dies ist ein Balken unten auf dem Bildschirm, der den Fortschritt im Text angibt.



Vorgehensweise mit die Spaltenauswahlhilfslinie

1. Legen Sie den Text unter den ZoomCam Speech.
2. Der Text wird auf dem Bildschirm gezeigt.

3. Wählen Sie einen Textblock aus, indem Sie den Textblock in die Mitte des Bildschirms legen oder indem Sie die Spaltenauswahlhilfslinie den Textblock wählen lassen. Dabei handelt es sich um eine Hilfslinie, welche die Mitte des Bildschirms anzeigt.
4. Drücken Sie auf **Knopf 5**, um mit dem Vorlesen zu beginnen.



- A. Spaltenauswahlhilfslinie
- B. Textblock
- C. Textbox

Pause

Das Vorlesen beginnt, indem **Knopf 5** gedrückt wird. Um eine Pause einzulegen, drücken Sie **Knopf 5** erneut. Zum Fortzusetzen des Vorlesens drücken Sie **Knopf 5**.

Ununterbrochenes Lesen

Der ZoomCam Speech liest den Text ohne Pause. Wenn Sie den Text mitschieben, liest der ZoomCam Speech automatisch weiter, ohne anzuhalten. Der Leserahmen verschwindet und kommt zurück, wenn die neue Position gefunden worden ist.

Ganze Bild Lesen

Der ZoomCam Speech kann das ganze Bild lesen wenn Sie die **Taste 1** gedrückt halten.. Der ZoomCam Speech liest das ganze Bild ohne Spaltenerkennung. Diese Funktion vereinfacht das Lesen von Rechnungen, Bankbelegen und Tabellen.

Navigieren

Der ZoomCam Speech kann satz- oder wortweise navigieren. Durch langes Drücken auf **Knopf 6** oder **Knopf 7** springt das Gerät jeweils einen Satz zurück oder weiter. Bei kurzem Drücken gehen Sie ein Wort zurück oder weiter.

Um den Text ein weiteres Mal vorlesen zu lassen, schieben Sie den Text einfach mit dem Lesetisch wieder nach oben. Wenn Sie den Text um mehr als 1 cm nach oben verschieben, liest der ZoomCam Speech den Text wieder von Beginn an und nicht ab der letzten Leseposition.

Fortgangsanzeige

Während des Vorlesens zeigt der ZoomCam Speech eine Fortgangsanzeige. Dies ist ein Balken an der unteren Bildschirmkante, der den Fortgang im Text anzeigt. Die Fortgangsanzeige kann drei Formen annehmen.

Lesen innerhalb derselben Spalte

Nach oben durchschieben oder weiterlesen, ohne dass der zu lesende Text aus dem Bild heraus geschoben wird: Der Leserahmen verschwindet beim Anhalten der Bewegung und erscheint wieder, wenn die neue Position gefunden worden ist.



Weiterlesen, während der Text oben aus dem Bild heraus geschoben wird. Der Rahmen verschwindet und erscheint wieder, wenn der zu lesende Text wieder ins Bild kommt. Der Anschluss des Textes wird durch sich nähernde doppelte Balken angegeben.



Wenn kein Anschluss möglich ist, also wenn der Text zu weit durchgeschoben worden ist, erscheint rechts ein Pfeil neben dem Balken. Sie können den Text neu positionieren, bis die Anzeige mit den 2 Balken erscheint.



Lesen einer folgenden Spalte

Es kann während des Lesens einer Spalte bereits in eine folgende Spalte weitergeschoben werden, ohne dass das Lesen der vorigen Spalte unterbrochen wird. Neben dem Balken erscheint dann ein Pfeil. Um einen Text zu wiederholen, können Sie den Text nach unten weiter schieben. Der Text wird dann von oben an gelesen.



Laufschrift-Ticker

Der Laufschrift-Ticker zeigt den vorgelesenen Text auf dem Bildschirm. Der Laufschrift-Ticker kann mit **Knopf 12** ein- oder ausgeschaltet werden. Drücken Sie auf **Knopf 12**, bis der Ticker auf dem Bildschirm steht. Mit den **Tasten 13** (größer) und **14** (kleiner) wird die Größe eingestellt.

Die Farbkombinationen des Laufschrift-Tickers werden abhängig von den Farben von Spaltenauswahl automatisch eingestellt (langes drücken auf **Knopf 9**).

Wenn die Größe des Laufschrift-Tickers mit **Knopf 13 und 14** geändert wird, schaltet der Laufschrift-Ticker bei einer bestimmten Größe von Scrollen auf Wort für Wort um.

Die Geschwindigkeit kann mit **Knopf 15** (langsamer) und **Knopf 16** (schneller) eingestellt werden.

Lese-bereich / Lesebalken

Der Lese-bereich oder Lesebalken ist ein waagerechter Balken auf dem Bildschirm. Der Text im Balken wird hell dargestellt. Die Lese-bereich dient zum Abdecken von Text oder zum Auswählen eines Teils des zu lesenden Texts.

Drücken Sie auf **Knopf 12**, bis der Balken auf dem Bildschirm steht. Drücken Sie die **Taste 12** (höher) oder die **Taste 13** (schmäler), um die Höhe einzustellen. Drücken Sie an **Knopf 9**, um die Begrenzungslinien anzuzeigen oder auszublenden. Drücken Sie lange an **Knopf 9**, um die Farben zu ändern.

Drücken Sie lang auf **Knopf 1**, um den Text in der Lese-bereich ohne Spaltenerkennung zu lesen.

Drücken Sie die **Knopf 5**, um den Text in der Lese-bereich mit Spaltenerkennung zu lesen.

Sprache und Vorlesestimmen

Achtung! Bei der ersten Inbetriebnahme erscheint dieses Menü automatisch nach 30 Sekunden.

Sie können die Spracheinstellungen des ZoomCam Speech jederzeit ändern. Um das Sprachmenü zu öffnen, drücken Sie 10 Sekunden auf **Knopf 5**. Das Sprachmenü öffnet sich. Das Menü hat 3 Schritte:

Schritt 1: Sprache der gesprochenen Hilfsmittelungen

Hier stellen Sie die Sprache der gesprochenen Knöpfe ein. Dies ist Ihre Muttersprache. Ein Einwohner aus Frankreich wählt Französisch. Durch Drehen am großen Knopf wählen Sie die Sprache aus. Durch langes Drücken auf **Knopf 5** wechseln Sie zu Schritt 2.

Schritt 2: Bevorzugte Stimme

Die meisten Sprachen haben verschiedene Stimmen. In Schritt 2 stellen Sie die bevorzugte Stimme der gesprochenen Knöpfe und die bevorzugte Vorlesestimme ein. Sie können meistens zwischen einer männlichen oder einer weiblichen Stimme wählen. Im Französischen haben Sie die Wahl aus Virginie, Thomas, Felix, Julie und Audry. Verwenden Sie die Pfeiltasten, um eine Stimme auszuwählen. Durch langes Drücken von **Taste 5** gelangen Sie zu Schritt 3.

Schritt 3: Andere Vorlesestimmen

Wenn Sie Texte mit anderen Stimmen oder in anderen Sprachen vorlesen lassen wollen, stellen Sie die anderen Stimmen mit Schritt 3 ein. Verwenden Sie die Pfeiltasten, um eine Stimme auszuwählen. Durch kurzes Drücken auf **Knopf 5** schalten Sie die Stimme ein oder aus. (X) zeigt an, dass die Stimme eingeschaltet ist. () zeigt an, dass die Stimme ausgeschaltet ist. Sie können mehrere Stimmen ein- oder ausschalten. Durch langes Drücken auf **Knopf 5** schließen Sie das Menü.

Automatische Spracherkennung

Die automatische Spracherkennung kann durch langes Drücken der **Taste 10 oder 11** aktiviert werden, bis ZoomCam Speech "Automatisch" sagt.

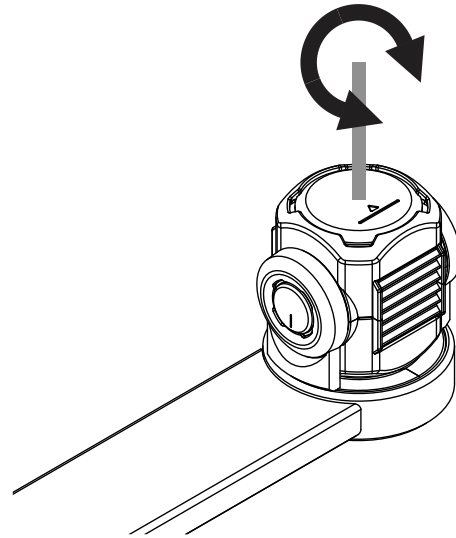
Wenn diese Funktion eingeschaltet ist, wird jeder Textblock in der entsprechenden Sprache gelesen. Die Standardstimme ist voreingestellt. Wenn Sie möchten, dass der Text mit einer anderen Stimme vorgelesen wird, stellen Sie im Sprachenmenü 1 Stimme (Ihre Vorzugsstimme) pro Sprache ein.

POSITION DER KAMERA

Die Kamera hat einen zweidimensionalen Kopf, den Sie manuell einstellen können.

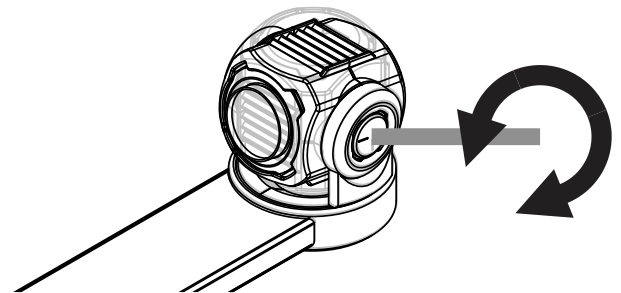
Rotieren

Indem Sie die Kamera drehen, können Sie das Bild rotieren und richtig einstellen, sodass der Text gerade auf dem Bildschirm angezeigt wird.



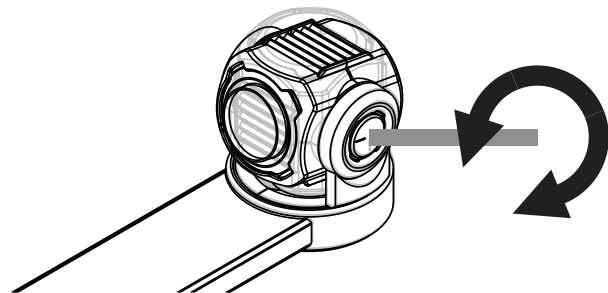
Kippen (zwischen Lese- und Distanzkamera umschalten)

Indem Sie die Kamera nach oben oder unten kippen, können Sie wählen, ob Sie unter der Kamera oder aus Distanz lesen.



WECHSELN ZWISCHEN LESE- UND DISTANZKAMERA

Indem Sie die Kamera nach oben oder unten kippen, können Sie wählen, ob Sie unter der Kamera oder aus Distanz lesen.



POSITIONSSENSOR

Die ZoomCam Speech verfügt über einen Sensor, der die Position der Kamera erkennt. Auf diese Weise erkennt die ZoomCam Speech, ob die Kamera auf die Ferne (Distanzmodus) fokussiert oder auf nah (Lesen unter der Kamera) eingestellt ist. Basierend auf den Sensordaten werden die bevorzugten Einstellungen hinsichtlich der beiden Modi gespeichert. Die ZoomCam Speech speichert die Einstellungen für:

Vergrößerung, Farbe, Helligkeit, Hintergrund, Beleuchtung, Leselinie, Ticker, Lese-bereich.

KOPFHÖRER UND EXTERNE LAUTSPRECKER

Es besteht die Möglichkeit, Kopfhörer oder externe Lautsprecher anzuschließen.

- Schließen Sie den mitgelieferten **USB-C - Mini Jack 3,5 mm Adapter** an den mittleren USB-Anschluss an. Schließen Sie das Netzteil an den äußeren USB-C-Anschluss an. Schließen Sie externe Lautsprecher oder Kopfhörer an den Mini Jack 3,5 mm an.
- Schließen Sie den **optionalen Bluetooth-Adapter** an den mittleren USB-Anschluss an. Schließen Sie das Netzteil an den äußeren USB-C-Anschluss an. Schließen Sie einen Bluetooth-Lautsprecher oder -Kopfhörer an. Indem Sie die Taste am Adapter lange drücken, damit sich der Bluetooth-Adapter im Pairing-Modus befindet. Bringen Sie die Lautsprecher oder Kopfhörer ebenfalls in den Pairing-Modus. Beide Geräte werden automatisch gekoppelt. Eine Liste der kompatiblen Bluetooth-Adapter finden Sie in den Spezifikationen auf der Rückseite dieses Handbuchs.

Kapitel 4: Verwendung der ZoomCam Speech mit einem Bildschirm

Kombinieren Sie die ZoomCam Speech vorzugsweise mit einem Bildschirm mit eingebauten Lautsprechern. Um die ZoomCam Speech mit einem Bildschirm zu verwenden, verbinden Sie die ZoomCam Speech mittels eines HDMI-Kabels. Die ZoomCam Speech ist mit einem digitalen Bildschirm kompatibel, der über einen HDMI-, DVI- oder DisplayPort-Anschluss verfügt. Ein HDMI/HDMI-Kabel wird mit der ZoomCam Speech geliefert. Für einen Bildschirm mit einem anderen Anschluss benötigen Sie ein anderes Kabel (nicht mitgeliefert).

Schließen Sie das Kabel an. Schließen Sie auch das Netzteil an. Sie können den mitgelieferten USB-C-Adapter an die Wandsteckdose anschließen oder die ZoomCam Speech mit einem USB-C–USB-A-Kabel über den Bildschirm mit Strom versorgen. Hinweis: Nicht jeder Bildschirm verfügt über einen USB-Anschluss mit (ausreichender) Stromversorgung.

Um das Bild auf dem Bildschirm anzuzeigen, wählen Sie die entsprechende Quelle auf dem Bildschirm aus.

Nur Bildschirme mit eingebauten Lautsprechern liefern Ton. Um Kopfhörer oder externe Lautsprecher anzuschließen, siehe Kapitel 2: Kopfhörer und externe Lautsprecher.

Kapitel 4: Verwendung der ZoomCam Speech mit einem Computer, Smartphone oder Tablet

Um die ZoomCam Speech mit einem Computer oder Tablet zu verwenden, schließen Sie die ZoomCam Speech mit einem USB-Kabel an. Wir empfehlen die Verwendung eines USB-C-Anschlusses. Wenn dieser nicht verfügbar ist, können Sie auch einen normalen USB-A-Anschluss verwenden. Bei einem USB-A-Anschluss ist möglicherweise nicht genügend Strom vorhanden. Schließen Sie in diesem Fall ein zweites USB-Kabel an.

Beim Anschließen des Geräts wird die ZoomCam Speech automatisch auf dem Betriebssystem konfiguriert.

BILDRATE UND AUFLÖSUNG

Die ZoomCam Speech hat eine Auflösung von 1920 × 1080 und eine Bildrate von 60 Bildern pro Sekunde. Sie können diese Geschwindigkeit über einen USB 3-Anschluss erreichen.

Die ZoomCam Speech reduziert automatisch die Bildrate, wenn die Verbindung nicht optimal ist. Als Lösung können Sie:

- In dem Programm, in dem Sie sich das Bild ansehen, die Auflösung reduzieren. Dadurch wird die Bildrate automatisch erhöht.
- Ein USB-3-Kabel verwenden

- Einen Computers / ein Tablet mit USB-3-Anschluss verwenden
- Einen leistungsstarken Computer verwenden
- Ein leistungsstarkes Programm zum Anzeigen von Bildern verwenden.

TON

Der Ton wird über das Audio-Interface übertragen, das als "ZoomCam Speech USB Audio Stream" verfügbar ist. Sie finden diese in der Liste der verfügbaren Audiogeräte. Je nach Betriebssystem oder Programm müssen Sie es so einstellen, dass es auf diese Schnittstelle hört.

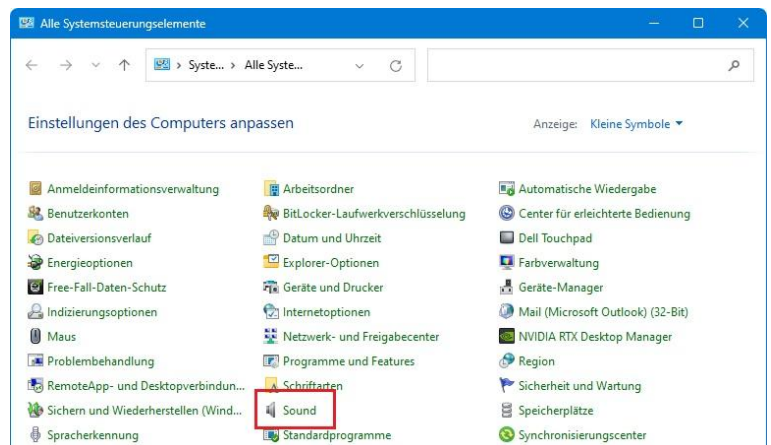
WINDOWS (LAPTOP, TABLET, DESKTOP-COMPUTER)

Die ZoomCam Speech funktioniert am besten mit einem Windows-Computer oder -Tablet an einem USB-C-3-Anschluss. Die ZoomCam Speech wurde erfolgreich in Kombination mit verschiedenen Geräten getestet. Wir können jedoch nicht garantieren, dass die ZoomCam Speech auf jedem Gerät funktioniert.

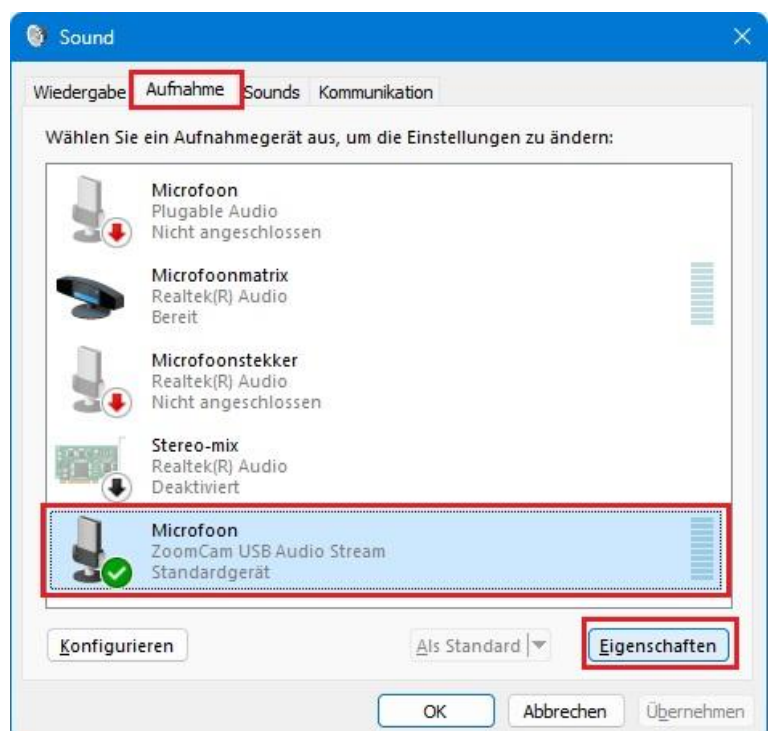
Ton

ZoomCam Der Sprachton kann nicht über die internen Lautsprecher gehört werden, bevor Windows eingerichtet wurde.

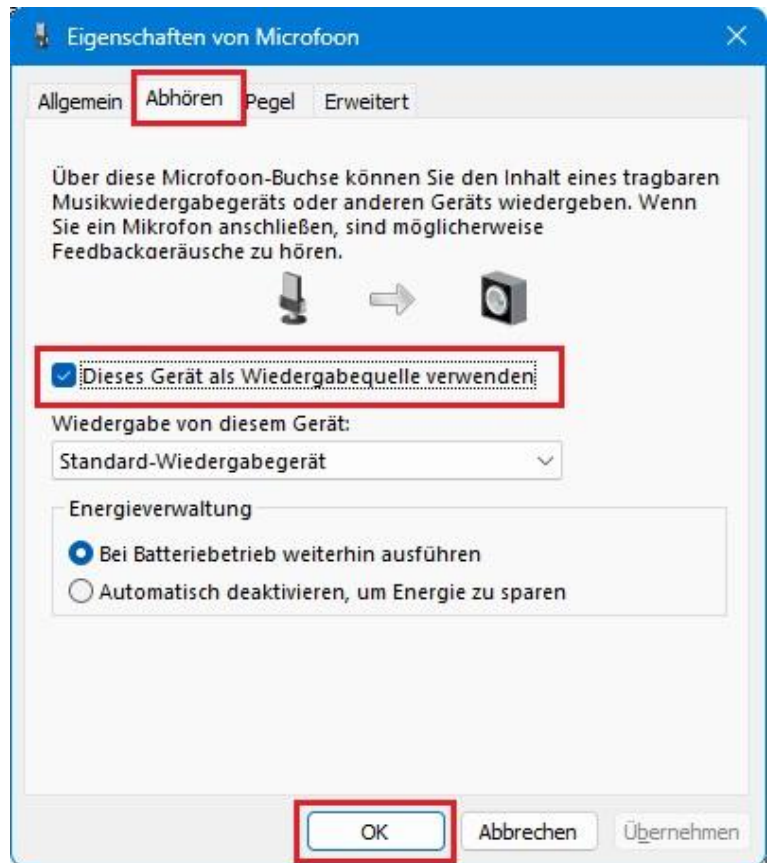
- Öffnen Sie die alte Windows-Systemsteuerung. Klicken Sie auf die Start-Schaltfläche, geben Sie **"Systemsteuerung"** ein und öffnen Sie sie.
- Öffnen Sie **Sound**.



- Klicken Sie auf die Registerkarte **Aufnahme**.
- Wählen Sie Mikrofon ZoomCam Speech USB Audio Stream und klicken Sie auf Eigenschaften.



- Klicken Sie auf die Registerkarte **Abhören**.
- Aktivieren Sie das Kontrollkästchen Dieses Gerät als Wiedergabequelle verwenden.
- Klicken Sie auf **OK**. Klicken Sie auf **OK**. Schließen Sie das Fenster der Systemsteuerung.



Bild

Unter Windows zeigt die ZoomCam Speech Bilder in verschiedenen Programmen an.

SuperNova (Vollbild und geteilter Bildschirm)



Klicken Sie in der Registerkarte Bild auf „Verbinden und anzeigen“ um das ZoomCam Speech-Bild ein- oder auszuschalten.

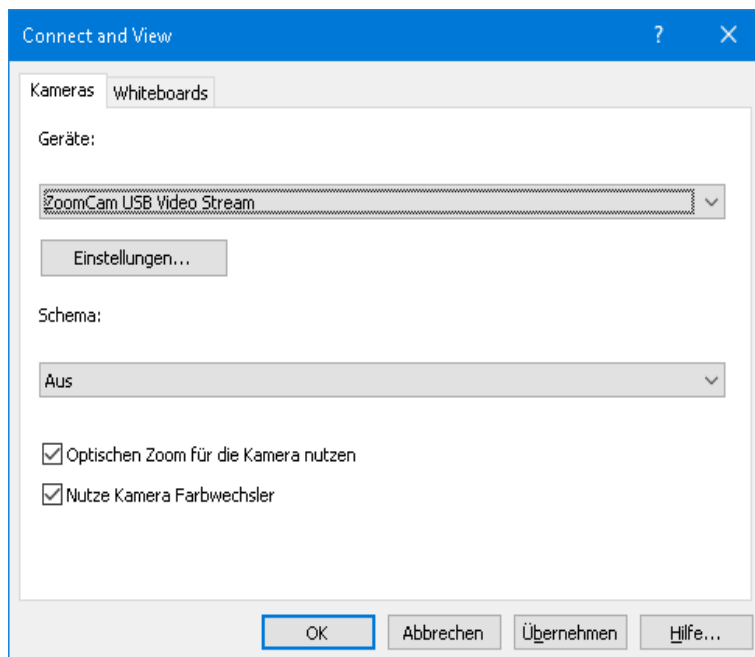
Tastenkombination: ALT + NUM ENTER (Computer) oder LINKS UMSCHALT- + FESTSTELLTASTE + 0 (Laptop).

Sobald Sie „Verbinden und anzeigen“ aktivieren, wird das Bild von der Kamera in einem Teil des Bildschirms angezeigt. Wir nennen diesen Bereich das Kamerabild. Sie können die Position des Kamerabilds auf dem Bildschirm einstellen und die Taskleiste „Kamerabild“ verwenden, um Größe, Farbe und Kontrast des Bildes für eine bessere Ansicht zu ändern.

Kamera einstellen

Öffnen Sie das Menü „Bild – Verbinden und anzeigen“ und wählen Sie „Einstellungen“. Hier wählen Sie die richtige Kamera aus.

- Wählen Sie die ZoomCam Speech aus der Geräten-Liste.
- Markieren Sie die Option „Optischen Zoom für die Kamera nutzen“ mit einem Häkchen. Dies bedeutet, dass SuperNova die Vergrößerung der Kamera steuern kann, wodurch die Bildqualität verbessert wird.
- Markieren Sie die Option „Nutze Kamera Farbwechsler“ mit einem Häkchen. Dies bedeutet, dass SuperNova die Farben der Kamera steuern kann, wodurch die Bildqualität verbessert wird.
- TIPP: Sie können die Auflösung über die Schaltfläche „Einstellungen“ einstellen. Wir empfehlen 1920 × 1080, 60 fps zu wählen. Wenn das Bild langsam ist, können Sie die Auflösung verringern.
- Klicken Sie auf die Schaltfläche OK.



Bildeinstellungen

Öffnen Sie das Menü „Bild – Verbinden und anzeigen“ und wählen Sie „Bild“. Wählen Sie hier aus, auf welchem Bildschirm oder an welcher Position Sie das Bild anzeigen möchten.

Standardmäßig wird das Kamerabild oben im Bildschirm angezeigt (geteilter Bildschirm). Die Position und Größe des Kamerabilds können über die Einstellungen „Verbinden und anzeigen“ in der SuperNova-Systemsteuerung geändert werden. Sie können das Kamerabild oben, unten, links oder rechts im Bildschirm platzieren und das Kamerabild kann so eingestellt werden, dass es 80 %, 50 % oder 20 % des Bildschirms einnimmt.

Das Kamerabild kann auch auf „Vollbild“ eingestellt werden. Im Vollbildmodus können Sie weiterhin die Tastenkombination FESTSTELLTASTE + MITTLERE MAUSTASTE verwenden, um zwischen dem Kamerabild und dem Desktop hin und her zu schalten.

Öffnen Sie das Menü „Bild – Verbinden und anzeigen“ und wählen Sie „Größe“. Hier können Sie das Verhältnis zwischen dem Kamerabild und dem Computerbild einstellen, wenn Sie im geteilten Bildschirm arbeiten.

Zwischen Kamerabild und Desktop hin und her schalten

Um auf die Taskleiste „Kamerabild“ zuzugreifen und Einstellungen für das Bild vorzunehmen, müssen Sie den Fokus in der Kamerabildfläche platzieren.

Sie können zwischen dem Kamerabild und Ihrem Desktop hin und her schalten, indem Sie die FESTSTELL- + MITTLERE MAUS-Taste drücken. Wenn Sie sowohl eine aktive Kamera als auch ein Whiteboard angeschlossen haben, wird durch wiederholtes Drücken der FESTSTELL- + MITTLEREN MAUSTASTE zwischen Kamera, Whiteboard und Desktop geschaltet.

Vergrößern und verkleinern



Die Größe des Bildes kann im Kamerabild mithilfe der Vergrößerungsschaltflächen in der Taskleiste „Kamerabild“ geändert werden. Wenn Sie einen Touchscreen verwenden, können Sie die Vergrößerung auch ändern, indem Sie das Bild mit 2 Fingern größer oder kleiner ziehen.



Sie können auch die folgenden Tastaturkürzel verwenden:

- Vergrößern: STRG LINKS + NUM PLUS oder FESTSTELLTASTE + MAUSRAD NACH OBEN, FESTSTELLTASTE + MAUSRAD NACH OBEN.
- Verkleinern: STRG LINKS + NUM MINUS oder FESTSTELLTASTE + MAUSRAD NACH UNTEN.



Verwenden Sie SuperNova immer im optischen Zoom-Modus. Dies führt zum besten Ergebnis.
Dieses Symbol bedeutet, dass Sie sich im optischen Zoom-Modus befinden.

Ändern der Farben des Bildes



Wenn Sie aufgrund der verwendeten Farben und des verwendeten Kontrasts Schwierigkeiten beim Betrachten des Bildes haben, können Sie mit der Schaltfläche zum Ändern der Farbe verschiedene Farbschemata durchlaufen.

Das Bild einfrieren



Mit der Schaltfläche „Bild einfrieren“ können Sie das aktive Bild innerhalb des Bildschirms einfrieren. Auf diese Weise können Sie sich die Bilddetails ansehen, ohne dass das Bild sich ändert.



Obwohl diese Funktion als Taskleistenschaltfläche „Kamerabild“ für die Verwendung mit einer Kamera verfügbar ist, ist sie auch beim Anzeigen einer Präsentation sehr nützlich, da der Bildschirm auf einem bestimmten Bild eingefroren werden kann, ohne dass der Referent das Bild an dieser Stelle zu stoppen braucht. Sobald das Bild freigegeben wird, erscheint im Kamerabildschirm das aktive Kamerabild oder das aktive Präsentationsbild des Bildschirms des Referenten.

Kamerabild aufnehmen



Mit der Schaltfläche „Kamera aufnehmen“ können Sie das Bild in die Windows-Zwischenablage kopieren. Das von SuperNova aufgenommene Bild ist das gesamte Bild, unabhängig von der Größe oder Vergrößerung, die Sie im Kamerabild verwenden.

Anschließend können Sie das Bild in ein Dokument kopieren oder das eingelebte Bild mithilfe der Scan- und Leseoptionen von SuperNova in Text umwandeln.

Kamerabild vorlesen



Durch Drücken des Scan-Symbols können Sie das Kamerabild vorlesen lassen.

Weitere Funktionen

In SuperNova stehen weitere Funktionen für das Kamerabild zur Verfügung. Wir empfehlen, diese nicht zu verwenden.

- Rotieren: Drehen Sie den Kamerakopf, um das Bild zu rotieren;
- Fokus: Passen Sie diesen nicht an. Die ZoomCam Speech verfügt über einen Autofokus.

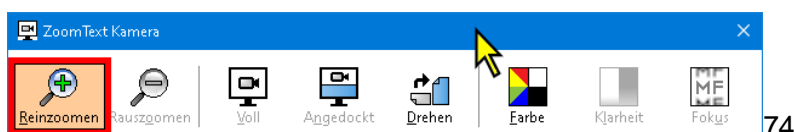
ZoomText (Vollbild und geteilter Bildschirm)

Klicken Sie in der Symbolleiste „Werkzeuge“ auf die Schaltfläche „Kamera“.

Tastenkombination: FESTSTELLTASTE + STRG + C

Tipp: Wenn Sie den Tastenkombination eindrücken betreten sie den Modus für geschichtete Tasten. Ein Banner wird eingeblendet. Sie können das Banner deaktivieren via ZoomText – Befehlstasten – Knopf Banner Einstellungen – Deaktivier Zeigt das Banner für geschichtete Tasten.

Im geteilten Bildschirm wird in der oberen Hälfte der Bildschirm selbst angezeigt, während die vergrößerte Ansicht des Desktops in der unteren Hälfte des Bildschirms bleibt. Die Symbolleiste „ZoomText-Kamera“ erscheint in der unteren Hälfte.

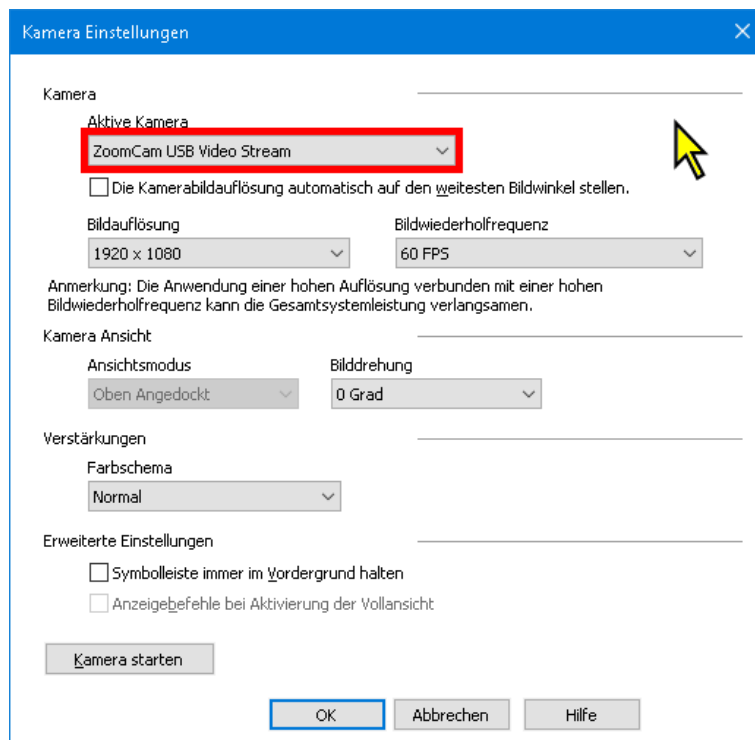


Wenn die „Kamera-Symbolleiste“ nicht angezeigt wird, drücken Sie die FESTSTELLTASTE + STRG + C, um den Modus „Mehrschichtige Kurztasten“ der Kamera zu aktivieren, und drücken Sie dann auf T, um die Symbolleiste anzuzeigen.

Kamera einstellen

Öffnen Sie das Menü Einstellungen – Kamera.
Hier wählen Sie die richtige Kamera aus.

- Wählen Sie bei aktiver Kamera „**ZoomCam Speech USB video stream**“.
- Wählen Sie das Häkchen bei „Die Kamerabildauflösung automatisch auf den weitesten Blidwinkel stellen“ ab.
- Bildauflösung: **1920 × 1080**
- Bildwiederholfrquenz: **60 FPS**
- Klicken Sie auf „**OK**“.
- TIPP: Speichern Sie die Einstellungen unter ZoomText – Konfigurationen – als Standardeinstellung. Auf diese Weise werden diese Einstellungen gespeichert, sodass Sie beim nächsten Mal nicht alle Einstellungen erneut vornehmen müssen.



Bildeinstellungen

Durch Einschalten der Kamera in ZoomText wird die zuletzt ausgewählte Einstellung gestartet. Im Menü können Sie wählen:

- **Vollbild:** Der gesamte Bildschirm zeigt das Bild der ZoomCam Speech. Um zwischen Vollbild und verknüpft Bild zu wechseln, drücken Sie die FESTSTELLTASTE + STRG + C, um den Modus „Mehrschichtige Kurztasten“ zu aktivieren, und drücken Sie dann die Tabulatortaste, um zwischen angedockte Ansicht / Vollansicht zu wechseln.
- **Verknüpft (geteilter Bildschirm):** Das Bild der ZoomCam Speech wird zu 50 % auf dem Bildschirm angezeigt. Sie wählen, an welcher Stelle Sie das Bild anzeigen möchten. Sie haben die Wahl zwischen: oben, rechts, unten, links.
Tastenkombination: FESTSTELLTASTE + PFEIL LINKS/RECHTS

Vergrößern und verkleinern

Verwenden Sie dazu die Tasten auf der Fernbedienung der ZoomCam Speech.

Die Schaltflächen im ZoomText-Bedienfeld funktionieren ebenfalls, sind jedoch weniger empfindlich.

Weitere Funktionen

Das Bedienfeld der ZoomText-Kamera verfügt über weitere Funktionen. Wir empfehlen, diese nicht zu verwenden.

Rotieren: Drehen Sie den Kamerakopf der ZoomCam Speech, um das Bild zu rotieren.


Farbe: Stellen Sie diese Funktion auf normal ein. Verwenden Sie die Fernbedienung der ZoomCam Speech, um die Farben anzupassen.

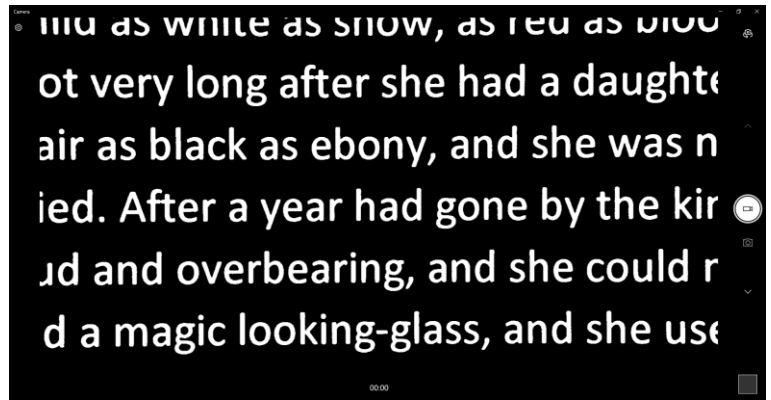
Helligkeit: Passen Sie diese nicht an. Verwenden Sie die ZoomCam Speech-Fernbedienung, um die Helligkeit anzupassen.

Fokus: Passen Sie diesen nicht an. Die ZoomCam Speech verfügt über einen Autofokus.

Windows Camera



- Öffnen Sie Windows Camera.
- Klicken Sie auf „Nächste Kamera“,  wenn das Bild von der ZoomCam Speech nicht angezeigt wird.
- Klicken Sie auf Einstellungen,  um die Auflösung und Geschwindigkeit zu ändern. Wählen Sie als Videoqualität 1080 p 16: 9 60 fps.



TIPP: In Windows Camera haben Sie die Möglichkeit, ein Foto oder ein Video aufzunehmen. Für die Videoaufnahme verwendet Windows Camera das Mikrofon Ihres Computers oder Tablets.

MACOS (LAPTOP, DESKTOP-COMPUTER)

Die ZoomCam Speech funktioniert am besten mit einem Mac-Computer an einem USB 3-Anschluss, vorzugsweise USB-C. Die ZoomCam Speech wurde erfolgreich in Kombination mit verschiedenen Geräten getestet. Wir können jedoch nicht garantieren, dass die ZoomCam Speech auf jedem Gerät funktioniert.

Ton und Bild

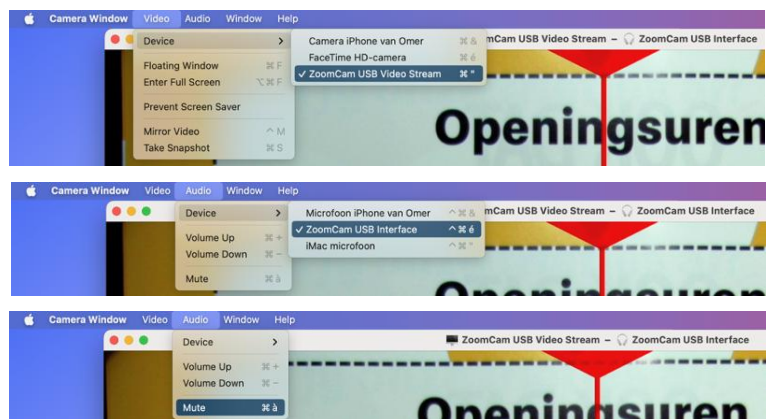


- Installieren Sie die App Camera Window aus dem App Store.
- Öffnen Sie Camera Window.



Konfiguration

- Klicken Sie auf Video und stellen Sie ZoomCam USB Video Stream unter Device ein.
- Klicken Sie auf Audio und stellen Sie ZoomCam USB Interface unter Device ein.
- Deaktivieren Sie Mute bei Audio Mute.



IPADOS (TABLET)

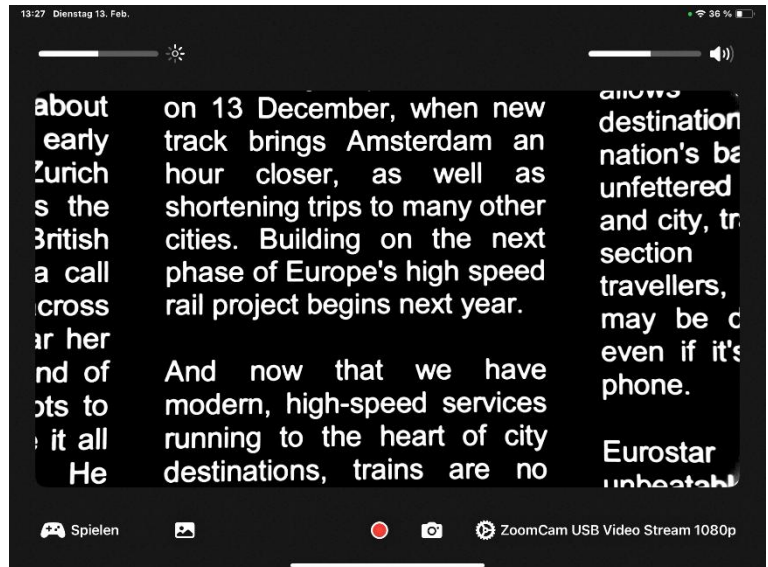
Die ZoomCam Speech ist mit iPads kompatibel, die mit einem USB-C-Anschluss ausgestattet sind. iPad Pro und iPad Air wurden erfolgreich getestet und liefern Hochgeschwindigkeits-Bilder (USB 3-Anschluss). Das Standard-iPad der 10. Generation verfügt nicht über einen schnellen USB-Anschluss (USB 2), was zu einer langsameren Bildwiederholung führt. Die Verringerung der Bildauflösung bietet hier eine Lösung. Wir können nicht garantieren, dass die ZoomCam Speech auf jedem Gerät funktioniert.

Ton und Bild



Installieren Sie die App CamX - USB Camera aus dem App Store.

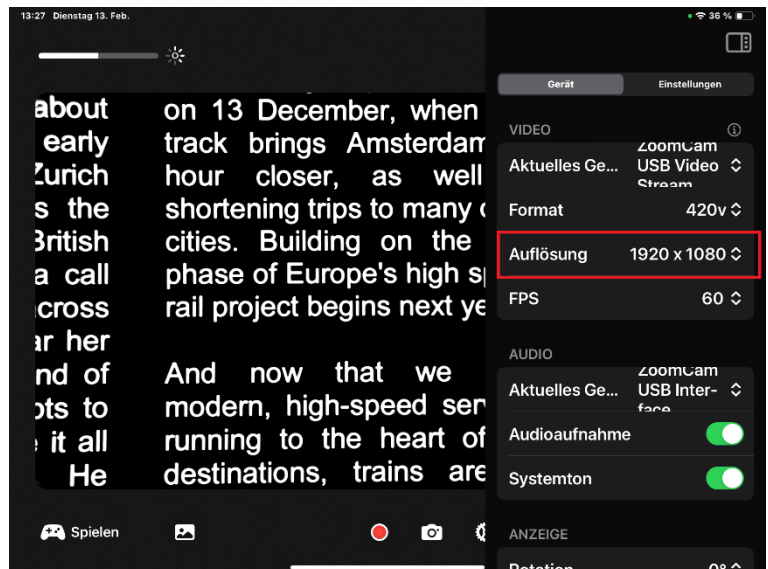
Öffnen Sie die CamX.



Konfiguration

Für eine langsame Bildaktualisierung verringern Sie die Bildauflösung.

- Klicken Sie auf das Zahnrad in der unteren rechten Ecke bei ZoomCam USB Video Stream.
- Ändern Sie die Auflösung auf 1280 x 720.



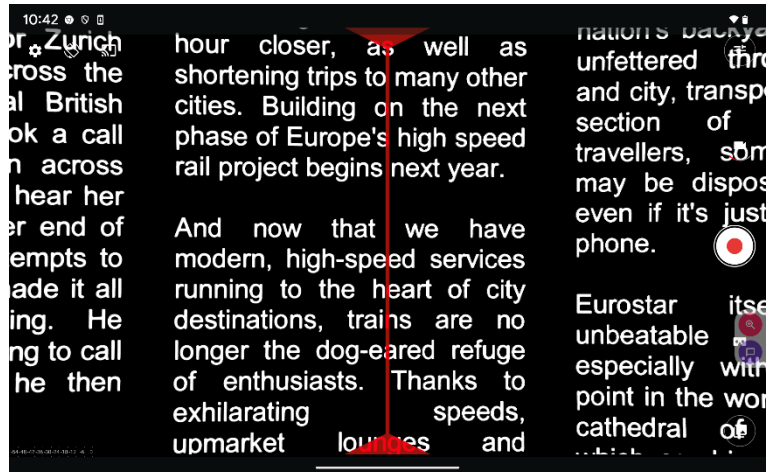
ANDROID (TABLET, SMARTPHONE)

Die ZoomCam Speech funktioniert am besten mit einem Android-Tablet oder -Smartphone an einem USB 3-Anschluss, vorzugsweise USB-C. Die ZoomCam Speech wurde erfolgreich in Kombination mit verschiedenen Geräten getestet. Wir können jedoch nicht garantieren, dass die ZoomCam Speech auf jedem Gerät funktioniert.

Ton und Bild

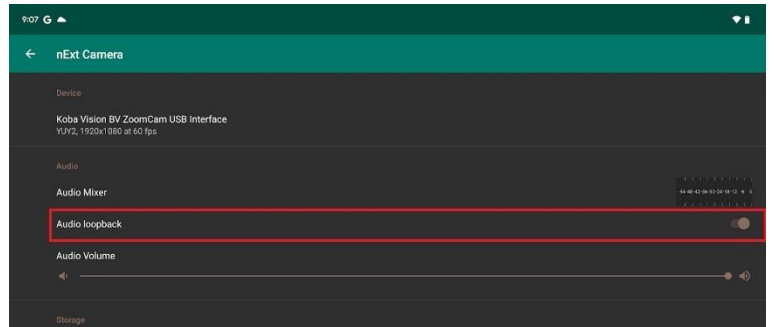


- Installieren Sie die nExt Camera App aus dem Google Play Store.
- Öffnen Sie nExt Camera.



Konfiguration

- Klicken Sie auf das Zahnradsymbol in der oberen linken Ecke.
- Aktivieren Sie Audio Loopback.



CHROME OS (CHROMEBOOK)

Die ZoomCam Speech funktioniert am besten mit einem ChromoBook mit einem USB-3-Anschluss, vorzugsweise USB-C. Die ZoomCam Speech wurde erfolgreich in Kombination mit verschiedenen Geräten getestet. Wir können jedoch nicht garantieren, dass die ZoomCam Speech mit jedem Gerät funktioniert.

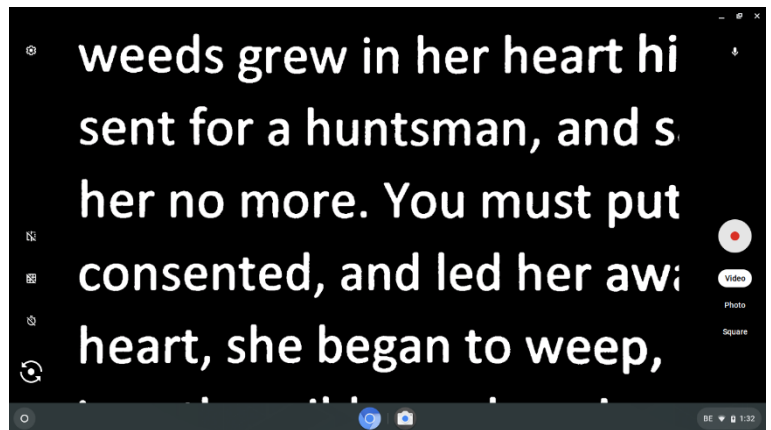
Ton

Chrome OS kann den Ton der ZoomCam Speech nicht über die Lautsprecher des Geräts selbst wiedergeben. Diese Kombination erfordert die Verwendung von Kopfhörern oder externen Lautsprechern über den mitgelieferten USB-C-auf-Miniklinke-3,5-mm-Adapter oder den optionalen Bluetooth-Adapter. Siehe: Kapitel 3 - Kopfhörer und externe Lautsprecher.

Bild



- Öffnen Sie die Kamera-App im Startmenü.
- Klicken Sie auf Nächste Kamera,  wenn das ZoomCam Speech-Bild nicht angezeigt wird.
- Klicken Sie auf Spiegeln,  wenn das Bild gespiegelt werden soll.
- Für die beste Ansicht, klicken Sie auf Video



Kapital 6: Tipps für den Gebrauch

Vorlesen von Textspalten

Das Vorlesen sollte am besten in einem Lesemodus erfolgen, bei dem man sich leicht zwischen den Textspalten bewegen kann.

Vorlesen - Texterkennung

Es kann sein, dass es bei der Texterkennung zu Fehlern kommt. Dies kann man durch das Verändern der Vergrößerung ausgleichen.

Lesen - Kontrast

Sie lesen am besten im Negativ- oder Positivmodus. In diesen Modi wird das Bild für Sehgeschädigte angepasst zu einem Bild mit hohem Kontrast und verbessertem Hintergrund. Sie können den Hintergrund und die Buchstaben je nach Wunsch einstellen. Der Hintergrund kann mit der Hintergrundunterdrückung eingestellt werden. Auf diese Weise können Sie die Struktur eines Blattes wegfiltern. Diese einzigartige Funktion gestattet es, jederzeit einen kontrastreichen Hintergrund ohne störende Unreinheiten des Papiers einzustellen.

Bilder betrachten

Fotos können Sie am besten in der Farbwiedergabe betrachten. Diese Wiedergabe ist ein nicht bearbeitetes Bild ohne Kontrasterhöhung. Mit dem Helligkeitsknopf können Sie das Bild anpassen, sodass Sie das Foto noch besser sehen können.

Basteln

Beim Basteln verwenden Sie am besten eine geringe Vergrößerung und die Echtfarbeeinstellung.

Schreiben

Unter Ihrem ZoomCam Speech können Sie auch schreiben. Am besten verwenden Sie einen schwarzen Kugelschreiber und liniertes Papier. Schreiben ist einfacher mit gesperrte Autofokus.

Kapitel 7: Garantie

GARANTIEERKLÄRUNG

Die KOBA Vision gewährt für jedes KOBA Vision Bildschirmlesegerät eine Garantie für zwei Jahre ab Lieferdatum. Um von der Garantie Gebrauch machen zu können, müssen Sie das Verpackungsmaterial aufbewahren.

Die Garantiedienstleistungen werden durch die KOBA Vision oder durch einen Händler von KOBA Vision geleistet. Wenn das Bildschirmlesegerät nicht einwandfrei in Stand gesetzt werden kann, liegt es an KOBA Vision selbst zu entscheiden, ob das Bildschirmlesegerät gegen ein anderes mit gleichwertiger Spezifikation ausgetauscht wird. Sämtliche Komponenten und Produkte, die innerhalb des Garantiezeitraumes ausgetauscht werden, sind Eigentum der KOBA Vision.

GARANTIEBESTIMMUNGEN

Die Garantie erlischt, wenn das Bildschirmlesegerät von KOBA Vision:

- nicht gemäß den Anweisungen oder falsch verwendet worden ist;
- durch einen Sturz oder einen Stoß beschädigt worden ist;
- zerlegt wurde oder anderweitigen Arbeiten unterzogen wurde;
- schon vorher von einer nichtanerkannten Servicestelle in Stand gesetzt worden ist.

Die Garantie gilt keinesfalls für Folgeschäden.

Mit Ausnahme der obigen, ausdrücklich erwähnten Garantiebestimmungen übernimmt die KOBA Vision keine anderweitige Haftung. Diese Haftungsbeschränkung beeinträchtigt keinesfalls die gesetzlichen Verbraucherrechte des Kunden oder die Rechte, die der Kunde dem Verkäufer gegenüber geltend machen kann.

KUNDENDIENST

Bitte halten Sie, bevor Sie zu KOBA Vision oder Ihrem Händler Kontakt aufnehmen, den Produktnamen, die Seriennummer, das Kaufdatum, die Rechnungsnummer und die Fehlermeldungen oder Besonderheiten der Problematik bereit.

MELDUNG VON SCHWERWIEGENDEN

Vorfällen Wenn ein schwerwiegender Vorfall beim Gebrauch dieses Produkts auftritt, der sich auf den Gebraucher auswirkt, muss dieser dem Hersteller des Produkts oder dem autorisierten Fachhändler gemeldet werden. Sollte der Vorfall innerhalb der Europäischen Union (EU) auftreten, muss er auch die Behörde vor Ort gemeldet werden, die im jeweiligen Mitgliedstaat zuständig ist.

HERSTELLER

KOBA Vision bv
De Oude Hoeven 6
3971 Leopoldsburg
Belgien

Fon. +32 11 51 70 80
info@kobavision.be
www.kobavision.be

SCHWEIZER BEVOLLMÄCHTIGTER

Accesstech AG

Bürgenstrasse 12
60005 Luzern
Schweiz

Fon: +44 41 227 41 27
info@accesstech.ch
www.accesstech.ch

Specifications

Specifications – Technische Angaben

Inputs Anschlüsse	<ul style="list-style-type: none">• HDMI OUT• USB-C (ZoomCam Speech USB Video Stream)• USB-C (Power + Bluetooth adapter)
Power Stromversorgung	Input: 5V DC 3A
Maximum viewing angle Maximales Blickfeld	230 mm
Minimum viewing angle Minimaler Blickfeld	10 mm
Weight Gewicht	1200 gram
Compatibele bluetooth adapter Kompatibler Bluetooth-Adapter	Creative BT-W3 Avantree C81

Model: ZoomCam 1

Version: ZoomCam Speech 20251112

KOBA Vision bv | De Oude Hoeven 6 | 3971 Leopoldsburg | Belgium

Tel. +32 11 51 70 80 | info@kobavision.be | www.kobavision.be

Company number 0455822497 | VAT BE0455822497 | RPR Antwerp, division Hasselt